

# Elastic Washers

## Product Data Sheet

### Area of application

Elastic washers EW are used to decouple structure-borne noise bridges that arise from screw connections. The polyurethane material Sylodyn® effectively isolates vibrations and retains its material properties over its entire service life. As well as decoupling vibrations, the washers are also electrically non-conductive and resistant to common oils and greases.

### Design

As well as the simple design, the washers are also available with a centring aid (groove), to facilitate easier installation and to guarantee the exact positioning of the screw with the hole. The dimensions are adapted to screw sizes M8, M10, M12 and M16 and are available in different bearing thicknesses for different efficiencies of insulation.



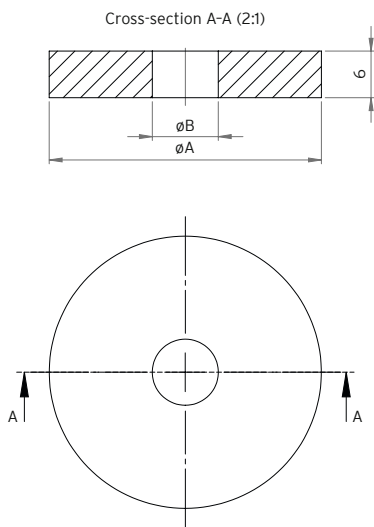
Elastic washers with and without centring aid (groove)

### Advantages

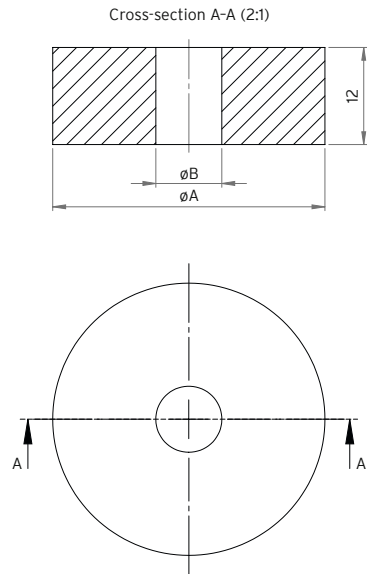
- Effective vibration isolation and vibration decoupling
- Material properties remain constant over the long term
- No brittleness (free from softeners)
- Range for different screw sizes
- Variants with centring aid
- Flammability in accordance with DIN EN 13501-1
- Surface protection
- Electrically non-conductive
- Resistant to oils and greases
- Thermally insulating

Illustration	Article	Thickness	Screw size	ØA	ØB
	EW M8-6	6 mm	M8	35 mm	9 mm
	EW M10-6	6 mm	M10	40 mm	11 mm
	EW M12-6	6 mm	M12	50 mm	13 mm
	EW M16-6	6 mm	M16	55 mm	17 mm
	EW M8-8	8 mm	M8	28 mm	9 mm
	EW M10-8	8 mm	M10	34 mm	11 mm
	EW M12-8	8 mm	M12	44 mm	13 mm
	EW M16-8	8 mm	M16	56 mm	17 mm
	EW M8-12	12 mm	M8	35 mm	9 mm
	EW M10-12	12 mm	M10	40 mm	11 mm
	EW M12-12	12 mm	M12	50 mm	13 mm
	EW M16-12	12 mm	M16	55 mm	17 mm
	EW M8-21	21 mm	M8	28 mm	9 mm
	EW M10-21	21 mm	M10	34 mm	11 mm
	EW M12-21	21 mm	M12	44 mm	13 mm
	EW M16-21	21 mm	M16	56 mm	17 mm

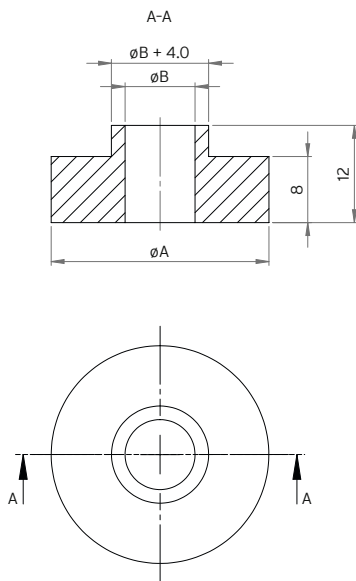
**Type EW XX-6**



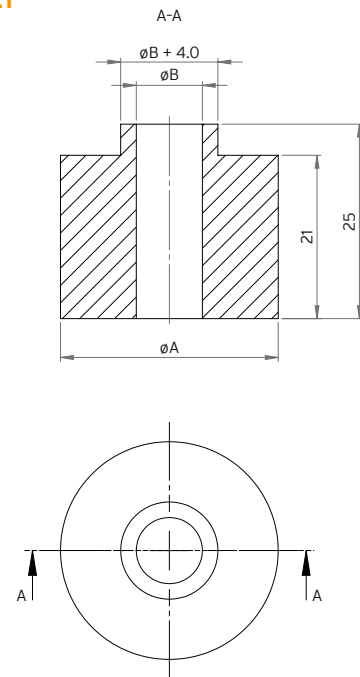
**Type EW XX-12**



**Type EW XX-8**



**Type EW XX-21**



All data is based on our current level of knowledge. It can be used in calculations and for reference purposes, but is subject to typical manufacturing tolerances; errors excepted and subject to change without notice.