

# Product Catalogue

## Machine Bearings for Building Services Equipment

Version 2023-04

For the latest online version, go to:  
[www.getzner.com/catalogue-hvac-en](http://www.getzner.com/catalogue-hvac-en)



# Applications



1 Air handling units (HVAC)

2 Fans

3 Elevator systems

4 Transformers



5 Chillers

7 Compressors

9 Pumps

6 Pipes

8 Heat pumps

10 Combined heat and power plants (CHP)

# Products

## Steel springs



Isotop MSN  
Page 12



Isotop MSN-BL  
Page 14



Isotop SD  
Page 16



Isotop SD-BL  
Page 18

## Steel springs with damper core



Isotop DMSN  
Page 20



Isotop DMSN-BL  
Page 22



Isotop DSD  
Page 24

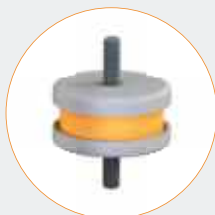


Isotop DSD-BL  
Page 26

## Vibration dampers

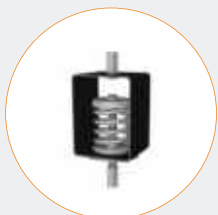


Isotop MSN-DAMP  
Page 30

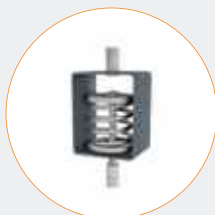


Isotop Compact  
Page 32

## Ceiling hangers



Isotop SD/Z  
Page 36



Isotop MSN/Z  
Page 36



Isotop MSN/Z-LC  
Page 36

**Pressure-tension elements**



Isotop DZE Mini  
Page 38

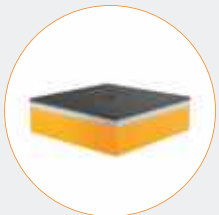


Isotop DZE  
Page 38

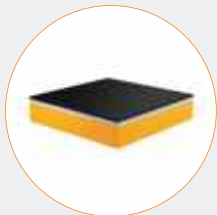


Isotop DZE-BL  
Page 38

**Sandwich elements**



Isotop SE pro  
Page 42



Isotop SE light  
Page 44



Isotop SE-DE  
Page 46



Isotop SE-DE Elevator  
Page 46

**Machine mountings**



Isotop ENI  
Page 48

**Compressor bearings**



Sylomer® Compressor  
Grommet CGR  
Page 50

**Transformer bearings**



Elastic Washers EW  
Page 51

**Transformer bearings**



Isotop Transformer  
Pad TR  
Page 52

**Seismic machine bearings**



SMM  
[www.getzner.com](http://www.getzner.com)

# Product benefits



**Quieter equipment thanks to efficient vibration isolation**



**Reduced secondary airborne noise even in critical installation locations (roof-top installation, mezzanine floors, etc.)**



**Time and cost savings in design, procurement and installation**



**Reduced maintenance costs**

**sylomer**<sup>by getzner</sup>

**syلودyn**<sup>by getzner</sup>

**syلودamp**<sup>by getzner</sup>



**Getzner PU  
made easy -  
with Isotop  
machine bearings**

# Product finder

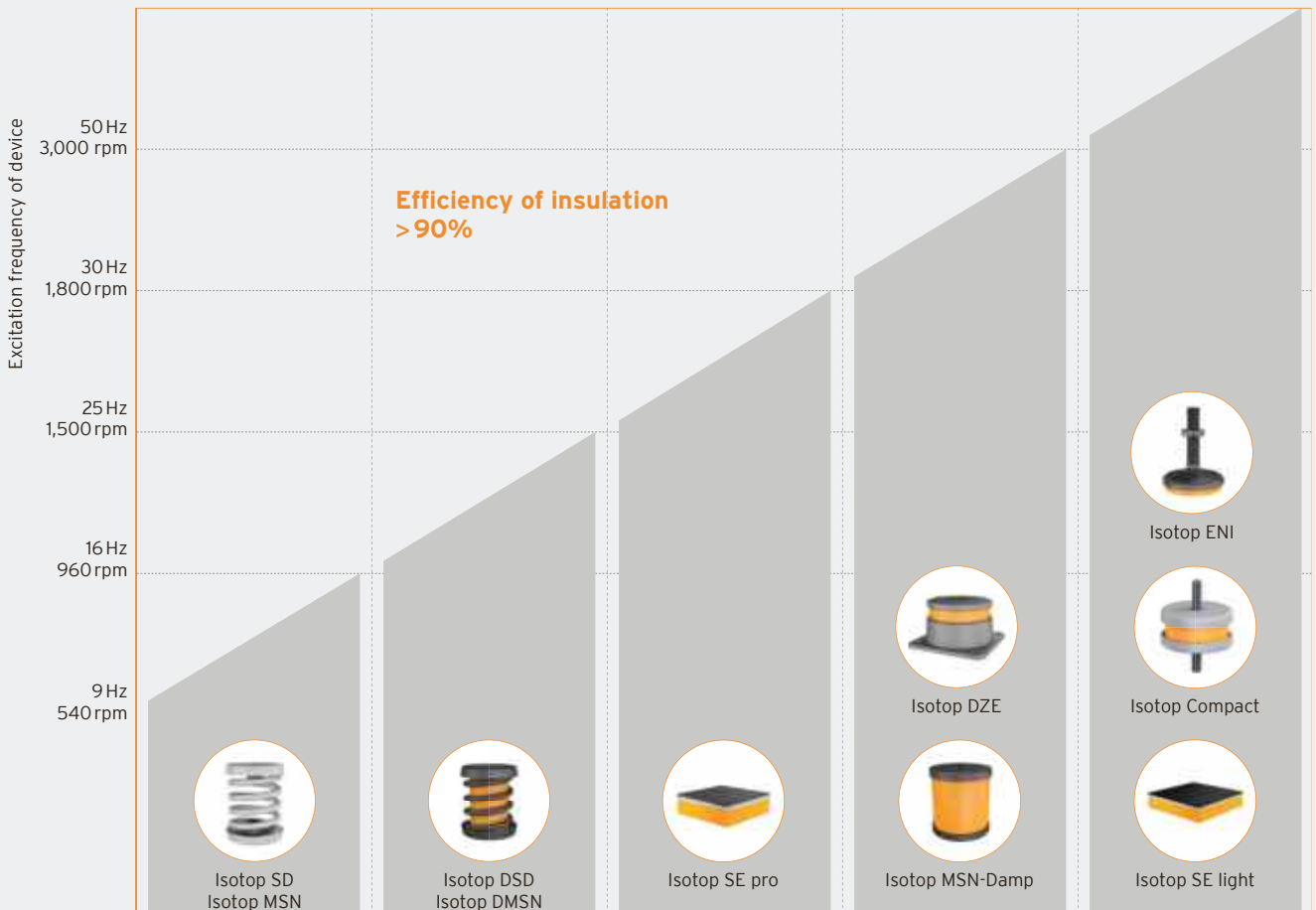
Thanks to its wide range of products, Getzner Werkstoffe is able to tailor the bearings perfectly to customer requirements.

**Isotop** products are mainly used for low-frequency bearings. They can be tailored in line with the excitation frequency as required, from a frequency of 3 Hz.

- Mainly used for natural frequencies below 8 Hz
- Springs can be used for point loads from 4 kg to more than 5 t per element

**Sylomer®** and **Sylodyn®** are mainly used for full surface bearings with natural frequencies above approx. 7 Hz (excitation frequencies from 25 Hz). Ideally, Getzner HRB bearings are used for very high loads in the smallest spaces.

- Mainly used for natural frequencies above 7 Hz
- Load range up to 1,200 t/m<sup>2</sup>
- Available in standard thicknesses of 12.5 mm and 25 mm



Requirements Isolation effect	High (e.g. hospitals, schools, office buildings, concert and theatres, etc.)		Medium (e.g. shopping centres, hotels, etc.)		Standard (e.g. industrial buildings, etc.)
Excitation fre- quency of device	9 Hz 540 rpm	16 Hz 960 rpm	25 Hz 1,500 rpm	30 Hz 1,800 rpm	50 Hz 3,000 rpm
Min. vertical natu- ral frequency	3 Hz	5 Hz	7 Hz	9 Hz	14 Hz

\* Natural frequencies are dependent on thickness and geometry.

# EquipCalc

**E**quipCalc, the new online selection program, makes finding the right Isotop product even easier. A suggested product, together with a number of alternatives, is selected using data such as the weight of the bedded item and the number of bearings.

We can also help customers with complex system requirements. Our service portfolio includes:

- Calculation and efficacy forecasts
- Comparative measurements
- Material tests
- Customer-specific solutions

## Compelling advantages:



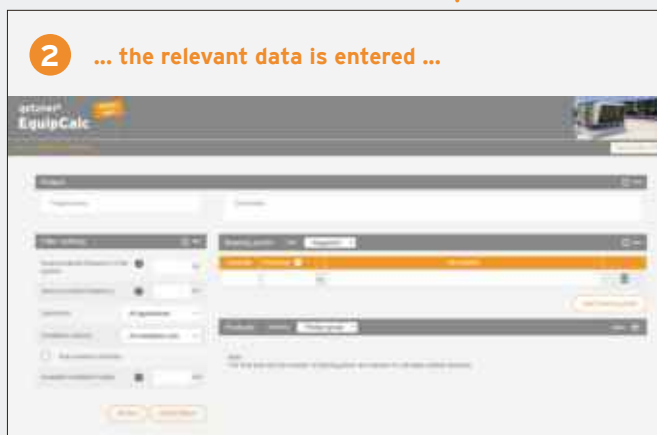
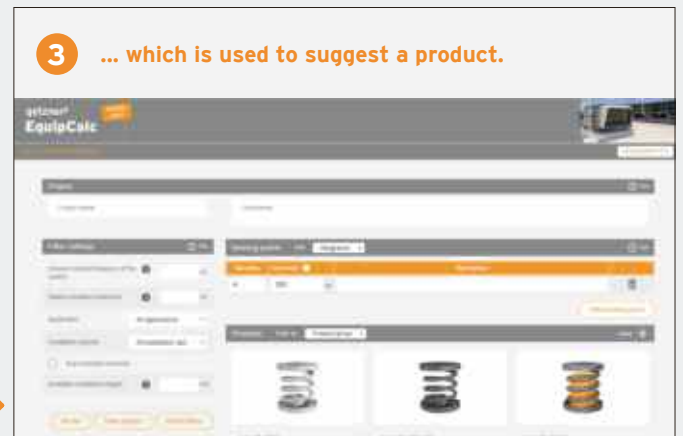
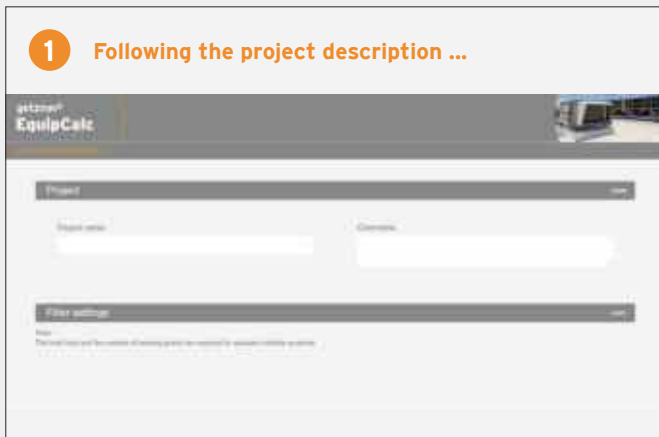
**Intuitive operation**



**Latest product information**



**Quick results**



### Data needed to choose the right product

- Total load
- Number of bearing points

### Other filter options

- Desired, calculated, natural frequency (max)
- (Main) excitation frequency
- Application
- Assembly options
- Available installation height



**REGISTER NOW!**  
[apps.getzner.com](https://apps.getzner.com)



**4 Detailed product information ...**

Product details Isotop® DSD

**Product dimensions (rounded)**

Height	mm	54	mm
Outer diameter	mm	70	mm
Thread size		M3	
Resonant frequency of the system	Hz	1.2	kHz
Mean spring stiffness (after one day)	N/mm	22.4	N/mm
Mean spring stiffness (after one month)	N/mm	22.2	N/mm
Capacity	g	5	g
Sample diameter	mm	30.0	mm



Sample	Load mass	Frequency	Product type	Order No.	Reference (order and delivery conditions)	Material composition	Capacity
...	...	...	...	...	...	...	...



Frequency in Hz	Amplitude in g	Support in acceleration in g
7.5	1.5	10
11	1.1	10
16	0.9	10
22	0.8	10
32	0.6	10
45	0.5	10
63	0.4	10
88	0.3	10
120	0.2	10
160	0.15	10
220	0.1	10
300	0.07	10

**5 ... can be printed and forwarded for later use.**

getzner®  
 Improving a good future

Editor: **Thomas Wirth**  
 Date: August 20, 2020

**Isotop® DSD**

Height	54	mm
Outer diameter	70	mm
Capacity	5	g
Resonant frequency of the system	1.2	kHz
Mean spring stiffness (after one day)	22.4	N/mm
Mean spring stiffness (after one month)	22.2	N/mm
Sample diameter	30.0	mm
Order number	...	













Frequency	Amplitude	Support
7.5	1.5	10
11	1.1	10
16	0.9	10
22	0.8	10
32	0.6	10
45	0.5	10
63	0.4	10
88	0.3	10
120	0.2	10
160	0.15	10
220	0.1	10
300	0.07	10





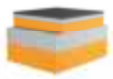



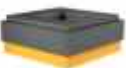



getzner®

# Selection matrix

	Steel springs				Steel springs with damper core				Vibration dampers	
										
Natural frequency	<b>MSN</b> 3.5 Hz	<b>MSN-BL</b> 3.5 Hz	<b>SD</b> 3.2 Hz	<b>SD-BL</b> 3.4 Hz	<b>DMSN</b> 5.3 to 9.5 Hz	<b>DMSN-BL</b> 5.3 to 6.6 Hz	<b>DSD</b> 4.2 to 5.6 Hz	<b>DSD-BL</b> 4.3 to 5.2 Hz	<b>MSN-DAMP</b> 7.4 to 9.2 Hz	<b>Compact</b> 9.9 to 12.1 Hz
Load range	3 to 90 kg	117 to 800 kg	20 to 525 kg	690 to 4,730 kg	11 to 100 kg	215 to 1,590 kg	24 to 650 kg	400 to 5,850 kg	6 to 35 kg	4 to 95 kg
Unloaded height	57 mm	75 mm	94 mm	114 mm	57 mm	75 mm	94 mm	114 mm	45 mm (T/T)	28 mm (T/T)
	Page 12	Page 14	Page 16	Page 18	Page 20	Page 22	Page 24	Page 26	Page 30	Page 32
<b>Air handling units (HVAC)</b>			☺	☺			☺	☺		
<b>Fans</b>	☺		☺		☺		☺			☺
<b>Elevator systems</b>										
<b>Chillers</b>			☺	☺			☺	☺		
<b>Pipes</b>		☺		☺						
<b>Compressors</b>	☺		☺		☺		☺	☺	☺	☺
<b>Heat pumps</b>					☺		☺		☺	☺
<b>Pumps</b>	☺	☺	☺	☺	☺	☺	☺	☺		
<b>Combined heat and power plants (CHP)</b>					☺	☺	☺	☺		
<b>Transformers</b>				☺				☺		

☺ Recommended ☺ Alternative

Ceiling hangers	Pressure-tension elements	Sandwich elements			Machine mountings	Compressor bearings	Elastic washers	Transformer bearings	
 <b>MSN/Z + SD/Z</b> 3.2 to 3.5 Hz 3 to 420 kg 105 to 190 mm	 <b>DZE</b> 7 to 12 Hz 8 to 4,135 kg 49 to 117 mm	 <b>SE pro</b> 7.5 to 9.6 Hz 90 to 2,050 kg 51.5 mm	 <b>SE light</b> 10.8 to 12.7 Hz 63 to 930 kg 33 mm	 <b>SE-DE</b> 5.7 to 10.4 Hz 105 to 3,480 kg 111 or 149 mm	 <b>ENI</b> 9.7 to 10.9 Hz 61 to 260 kg 118 mm	 <b>CGR</b> 12.7 to 14 Hz 3 to 20 kg 25 mm	 <b>EW</b> 6 to 21 mm	 <b>TR</b> 8.5 to 11.3 Hz 100 to 2,500 kg 69 mm	Natural frequency Load range Unloaded height
Page 36	Page 38	Page 42	Page 44	Page 46	Page 48	Page 50	Page 51	Page 52	
	☺	☺	☺	☺	☺				<b>Air handling units (HVAC)</b>
☺	☺								<b>Fans</b>
	☺			☺					<b>Elevator systems</b>
	☺	☺	☺	☺	☺				<b>Chillers</b>
☺									<b>Pipes</b>
						☺	☺		<b>Compressors</b>
	☺	☺	☺	☺	☺				<b>Heat pumps</b>
	☺								<b>Pumps</b>
☺	☺	☺	☺						<b>Combined heat and power plants (CHP)</b>
								☺	<b>Transformers</b>




☺ Recommended ☺ Alternative



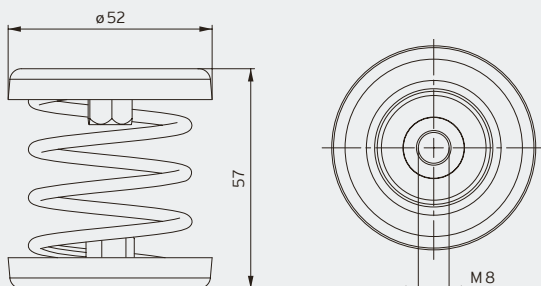
# Isotop MSN

## Steel spring isolators for low installation heights

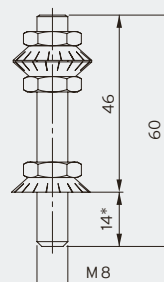
- Natural frequency from 3.5Hz
- Low overall height of 57 mm
- Electro-galvanised or cathodic dip-coated (CDC) for increased corrosion protection
- Secure connection between the plate and the spring
- thanks to special adhesive
- M8 internal thread
- Simple load control thanks to open design
- Spring design conforms to DIN EN 13906-1

		Maximum load		Natural frequency at maximum load	Packaging unit	Order number
		in kg	in N			
<b>MSN spring element galvanised</b> 	Isotop MSN 1	3	29	3.5 Hz	50 pcs.	<b>39376</b>
	Isotop MSN 2	5	49	3.5 Hz	50 pcs.	<b>39377</b>
	Isotop MSN 3	9	88	3.5 Hz	50 pcs.	<b>39378</b>
	Isotop MSN 4	14	137	3.5 Hz	50 pcs.	<b>39379</b>
	Isotop MSN 5	23	226	3.5 Hz	50 pcs.	<b>39380</b>
	Isotop MSN 6	35	343	3.5 Hz	50 pcs.	<b>39381</b>
	Isotop MSN 7	53	519	3.5 Hz	50 pcs.	<b>39382</b>
	Isotop MSN 8	90	883	3.5 Hz	50 pcs.	<b>39383</b>
<b>MSN spring element KTL</b> 	Isotop MSN 1 KTL	3	29	3.5 Hz	100 pcs.	<b>39384</b>
	Isotop MSN 2 KTL	5	49	3.5 Hz	100 pcs.	<b>39415</b>
	Isotop MSN 3 KTL	9	88	3.5 Hz	50 pcs.	<b>39416</b>
	Isotop MSN 4 KTL	14	137	3.5 Hz	50 pcs.	<b>39417</b>
	Isotop MSN 5 KTL	23	226	3.5 Hz	50 pcs.	<b>39418</b>
	Isotop MSN 6 KTL	35	343	3.5 Hz	50 pcs.	<b>39419</b>
	Isotop MSN 7 KTL	53	519	3.5 Hz	50 pcs.	<b>39420</b>
	Isotop MSN 8 KTL	90	883	3.5 Hz	50 pcs.	<b>39421</b>
<b>Height adjustment for MSN/DMSN</b> 	Isotop NV 1-8 MSN	M8	for MSN 1 to 8		50 pcs.	<b>47322</b>

Isotop MSN (unloaded)



Isotop NV 1-8 MSN



\*Thread reach MSN/DMSN

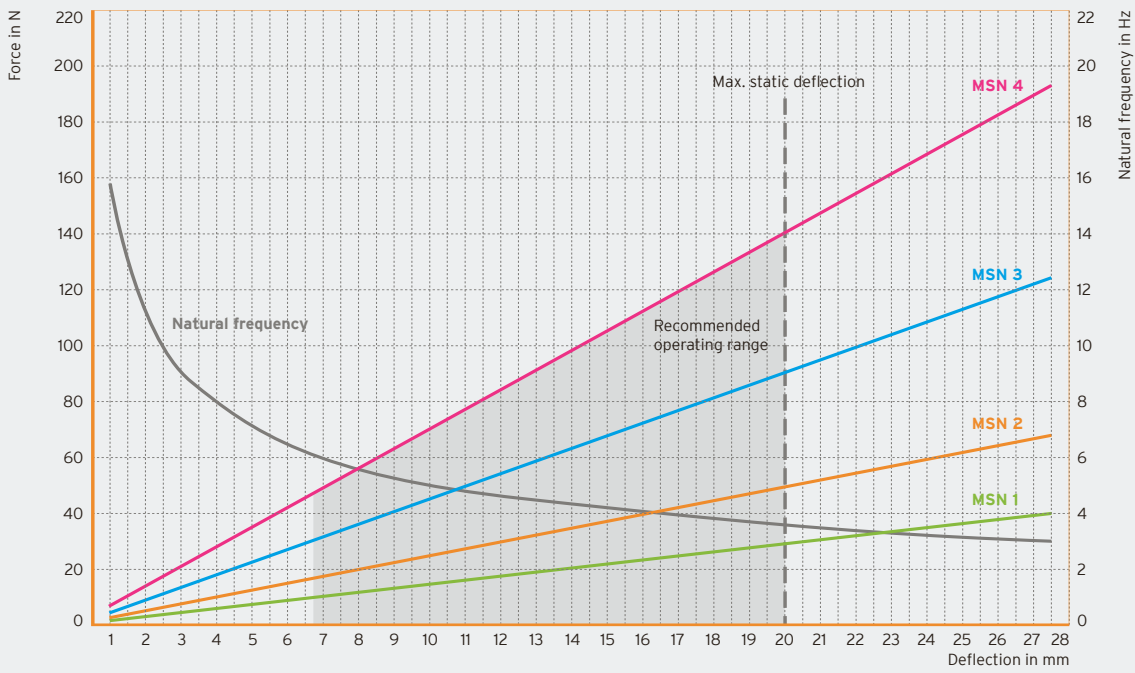


Radial fan in an HVAC system

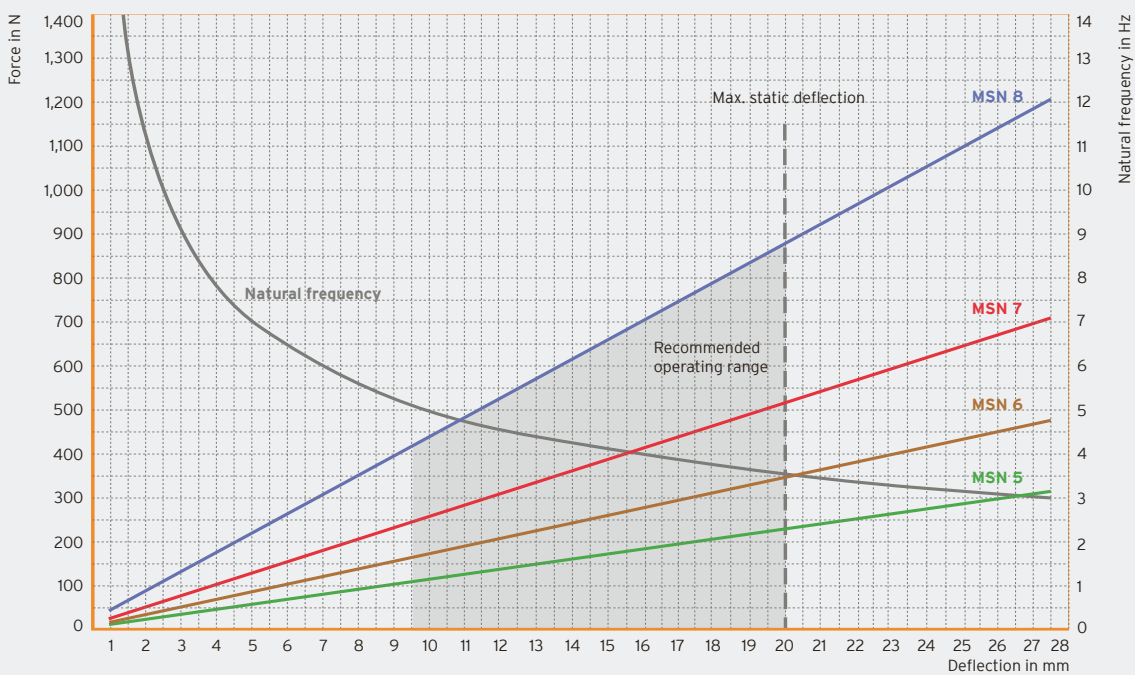


External unit of a heat pump on a wall bracket

**Isotop MSN 1– MSN 4**



**Isotop MSN 5– MSN 8**






# Isotop MSN-BL

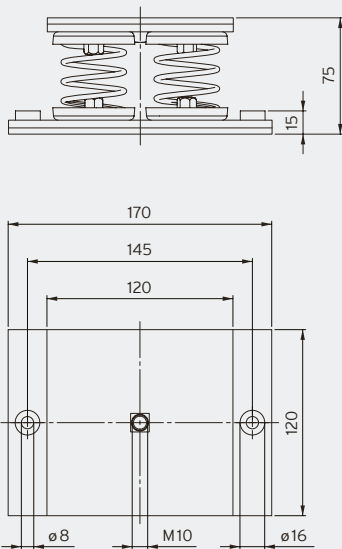
MSN steel spring block element  
for low installation heights and high loads

- Natural frequency from 3.5Hz
- Low overall height of 75 mm
- High load capacity of up to 800 kg per element
- 5 mm top plate and base plate fitted with 4 mm Sylomer® anti-slip plate
- CDC coating of springs and powder coating of pressure plates for outstanding corrosion protection
- Secure connection between the plate and the spring thanks to special adhesive
- Top plate with M10 thread
- Simple load control thanks to open design

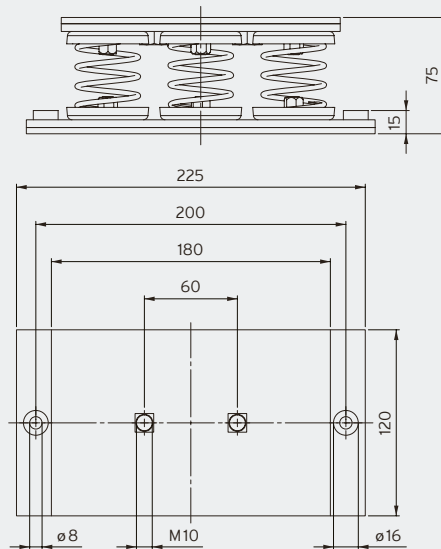
MSN-BL		Maximum load		Natural frequency at maximum load	Packaging unit	Order number
		in kg	in N			
	Isotop MSN-BL4-52/62	117	1,147	3.5 Hz	4 pcs.	<b>47289</b>
	Isotop MSN-BL4-74/80	212	2,079	3.5 Hz	4 pcs.	<b>47293</b>
	Isotop MSN-BL4-70/84	360	3,531	3.5 Hz	4 pcs.	<b>47292</b>
	Isotop MSN-BL6-72/84	465	4,561	3.5 Hz	50 pcs.	<b>OR</b>
	Isotop MSN-BL6-70/86	535	5,248	3.5 Hz	50 pcs.	<b>OR</b>
	Isotop MSN-BL9-73/86	695	6,817	3.5 Hz	50 pcs.	<b>OR</b>
	Isotop MSN-BL9-70/89	800	7,848	3.5 Hz	150 pcs.	<b>OR</b>

Not held in stock. Delivery time on request (approx. 15 working days from the factory).  
OR ... On request

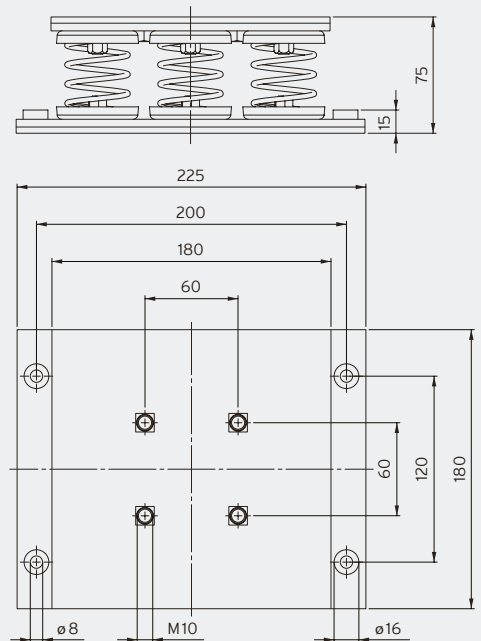
Isotop MSN-BL 4 (unloaded)



Isotop MSN-BL 6 (unloaded)



Isotop MSN-BL 9 (unloaded)

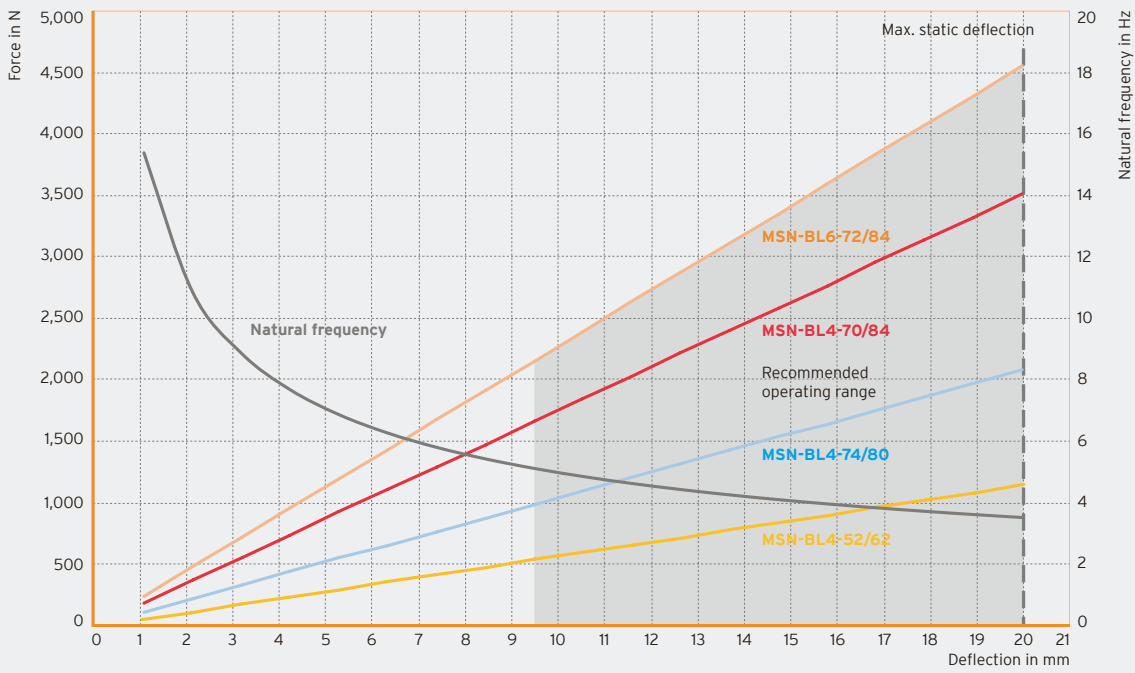


Customised block  
elements available  
on request

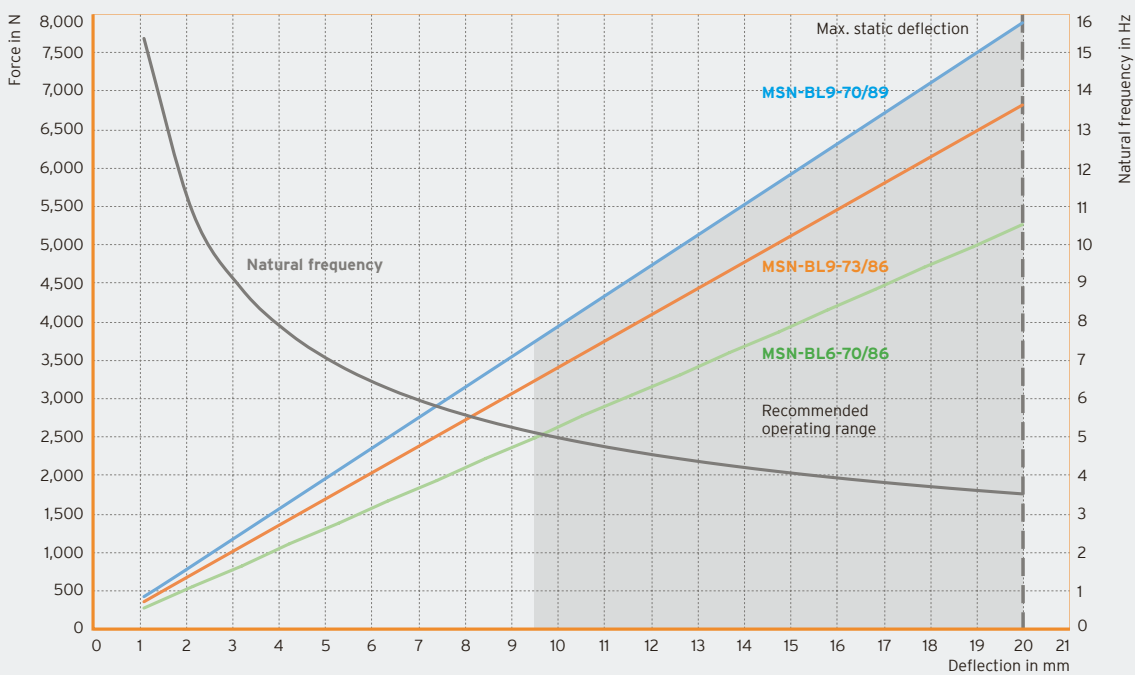


Bearing of duct silencer

### Isotop MSN-BL4 and MSN-BL6



### Isotop MSN-BL6 and MSN-BL9










# Isotop SD

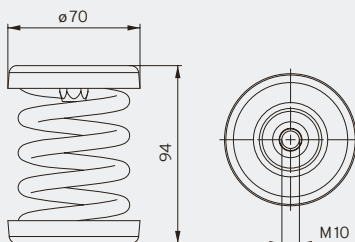
## Steel spring isolators

- Natural frequency from 3.2Hz
- Electro-galvanised or cathodic dip-coated (CDC) for increased corrosion protection
- Secure connection between the plate and the spring thanks to special adhesive
- M10 internal thread
- Suitable base plate and/or height adjustment available
- Base plate with damping element (FP/K) also isolates higher frequencies
- Simple load control thanks to open design
- Spring design conforms to DIN EN 13906-1

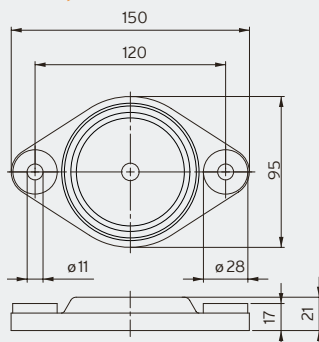
		Maximum load		Natural frequency at maximum load	Packaging unit	Order number
		in kg	in N			
<b>SD spring element galvanised</b> 	Isotop SD 1	20	196	3.2 Hz	50 pcs.	<b>39443</b>
	Isotop SD 2	33	324	3.2 Hz	50 pcs.	<b>39444</b>
	Isotop SD 3	52	510	3.2 Hz	50 pcs.	<b>39003</b>
	Isotop SD 4	82	804	3.2 Hz	50 pcs.	<b>39455</b>
	Isotop SD 5	123	1,206	3.2 Hz	50 pcs.	<b>39004</b>
	Isotop SD 6	195	1,913	3.2 Hz	50 pcs.	<b>39456</b>
	Isotop SD 7	310	3,041	3.2 Hz	50 pcs.	<b>39457</b>
	Isotop SD 8	420	4,120	3.4 Hz	50 pcs.	<b>39458</b>
	Isotop SD 9	525	5,150	3.4 Hz	50 pcs.	<b>39459</b>
<b>SD spring element KTL</b> 	Isotop SD 1 KTL	20	196	3.2 Hz	100 pcs.	<b>39460</b>
	Isotop SD 2 KTL	33	324	3.2 Hz	100 pcs.	<b>39461</b>
	Isotop SD 3 KTL	52	510	3.2 Hz	50 pcs.	<b>39462</b>
	Isotop SD 4 KTL	82	804	3.2 Hz	50 pcs.	<b>39463</b>
	Isotop SD 5 KTL	123	1,206	3.2 Hz	50 pcs.	<b>39464</b>
	Isotop SD 6 KTL	195	1,913	3.2 Hz	50 pcs.	<b>39465</b>
	Isotop SD 7 KTL	310	3,041	3.2 Hz	50 pcs.	<b>39466</b>
	Isotop SD 8 KTL	420	4,120	3.4 Hz	100 pcs.	<b>39467</b>
	Isotop SD 9 KTL	525	5,150	3.4 Hz	100 pcs.	<b>39468</b>
<b>Base plate FP/K with damping element for SD/DSD</b> 	Isotop FP/K 1-9		for SD 1 to 9	including screws <sup>1</sup>	50 pcs.	<b>38216</b>
	Isotop FP/K 1-9 KTL		for SD 1 to 9	including screws <sup>1</sup>	50 pcs.	<b>39158</b>
<b>Base plate FP for SD/DSD</b> 	Isotop FP 1-9		for SD 1 to 9	without screws	50 pcs.	<b>39536</b>
	Isotop FP 1-9 KTL		for SD 1 to 9	without screws	50 pcs.	<b>39537</b>
<b>Height adjustment for SD/DSD</b> 	Isotop NV 1-9	M10	for SD 1 to 9		50 pcs.	<b>47321</b>

<sup>1</sup> M10 connecting screws between base plate and spring

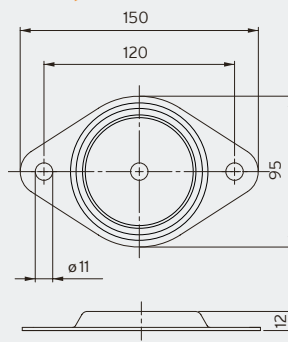
Isotop SD (unloaded)



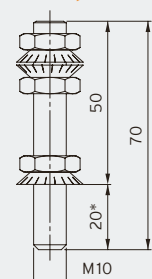
Isotop FP/K



Isotop FP



Isotop NV 1-9



\*Thread reach SD/DSD



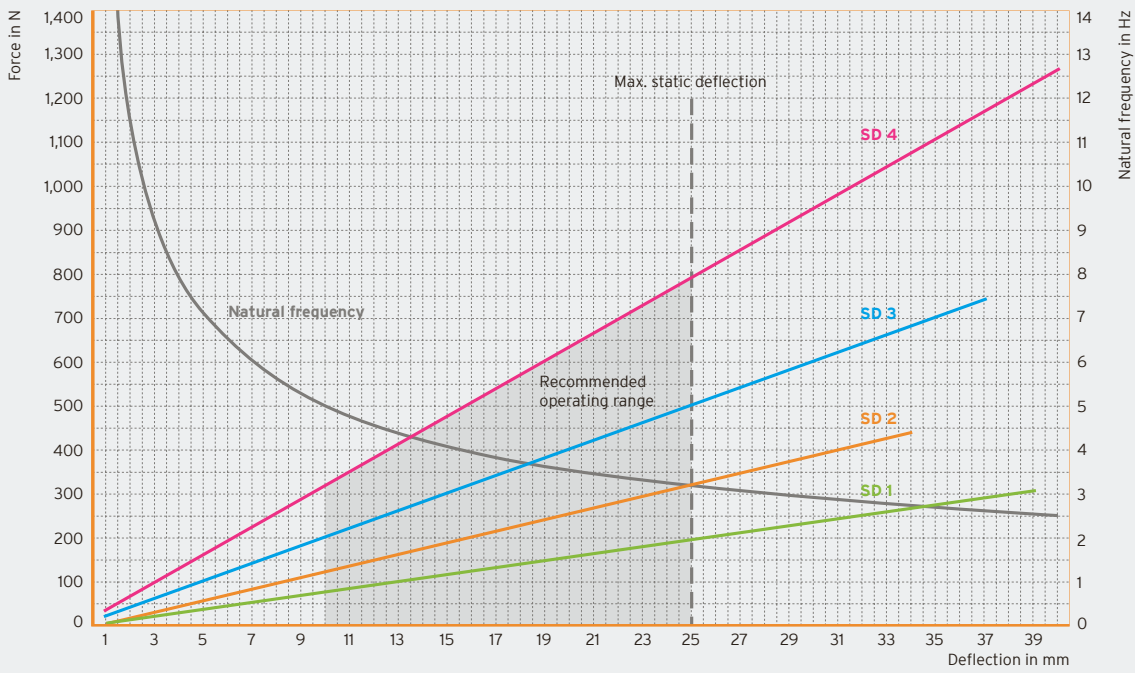


Bearing of belt-driven fans

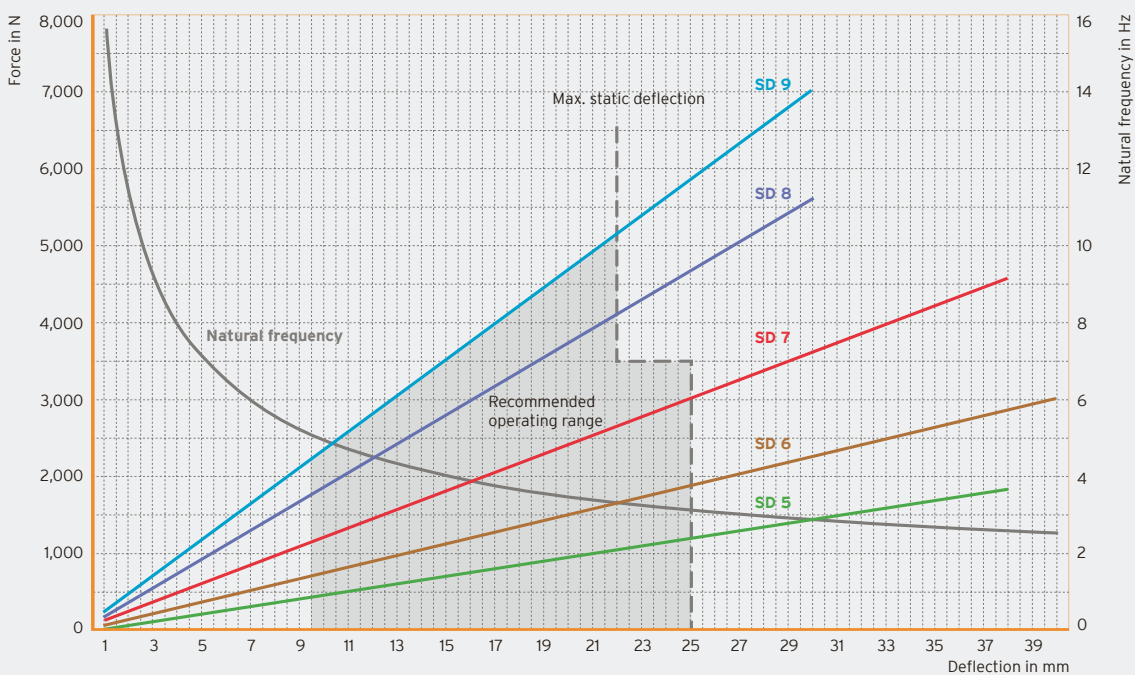


Bearing of HVAC unit with Isotop SD and Isotop FP/K

### Isotop SD1-SD4



### Isotop SD5-SD9





# Isotop SD-BL

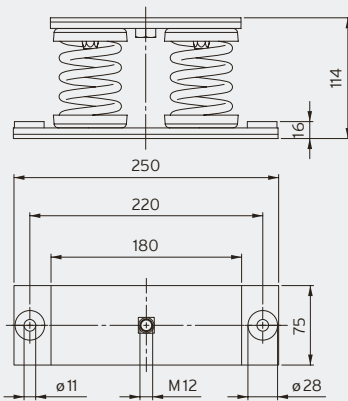
## SD steel spring block element

- Natural frequency from 3.4 Hz
- High load capacity of up to 4,730 kg per element
- 6 mm top plate and base plate fitted with 4 mm Sylomer® anti-slip plate
- CDC coating of springs and powder coating of pressure plates for outstanding corrosion protection
- Secure connection between the plate and the spring thanks to special adhesive
- Top plate with M12 thread
- Simple load control thanks to open design

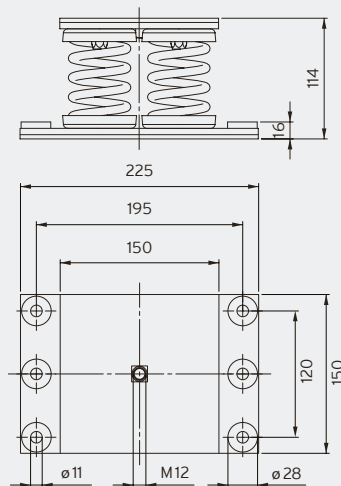
SD-BL	Maximum load		Natural frequency at maximum load	Packaging unit	Order number
	in kg	in N			
Isotop SD-BL2-71/81	690	6,769	3.4 Hz	4 pcs.	<b>47298</b>
Isotop SD-BL2-82/90	840	8,240	3.4 Hz	4 pcs.	<b>47300</b>
Isotop SD-BL2-80/92	1,050	10,301	3.4 Hz	4 pcs.	<b>47299</b>
Isotop SD-BL4-84/90	1,680	16,481	3.4 Hz	4 pcs.	<b>47282</b>
Isotop SD-BL4-82/92	1,890	18,541	3.4 Hz	4 pcs.	<b>47284</b>
Isotop SD-BL4-80/94	2,100	20,601	3.4 Hz	4 pcs.	<b>47285</b>
Isotop SD-BL6-84/92	2,730	26,781	3.4 Hz	50 pcs.	<b>OR</b>
Isotop SD-BL9-80/99	4,730	46,401	3.4 Hz	50 pcs.	<b>OR</b>

Not held in stock. Delivery time on request (approx. 15 working days from the factory).  
OR ... On request

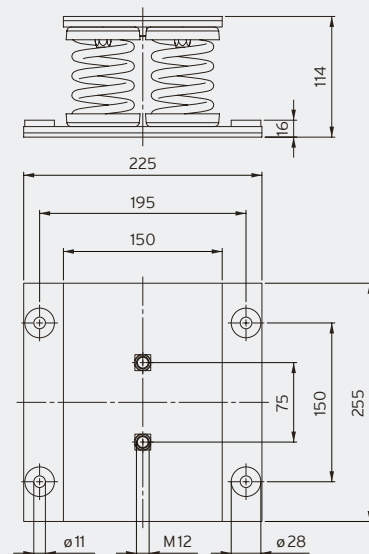
**Isotop SD-BL 2 (unloaded)**



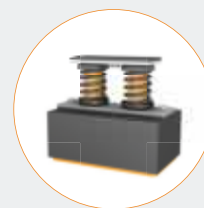
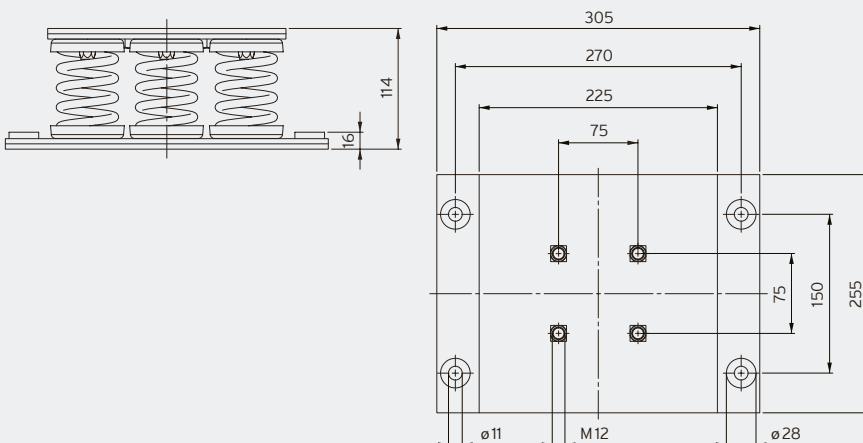
**Isotop SD-BL 4 (unloaded)**



**Isotop SD-BL 6 (unloaded)**



**Isotop SD-BL 9 (unloaded)**



**Isotop SD-BL2 and SD-BL4 optionally available with spacer base**

Details on page 28



**Customised block elements available on request**

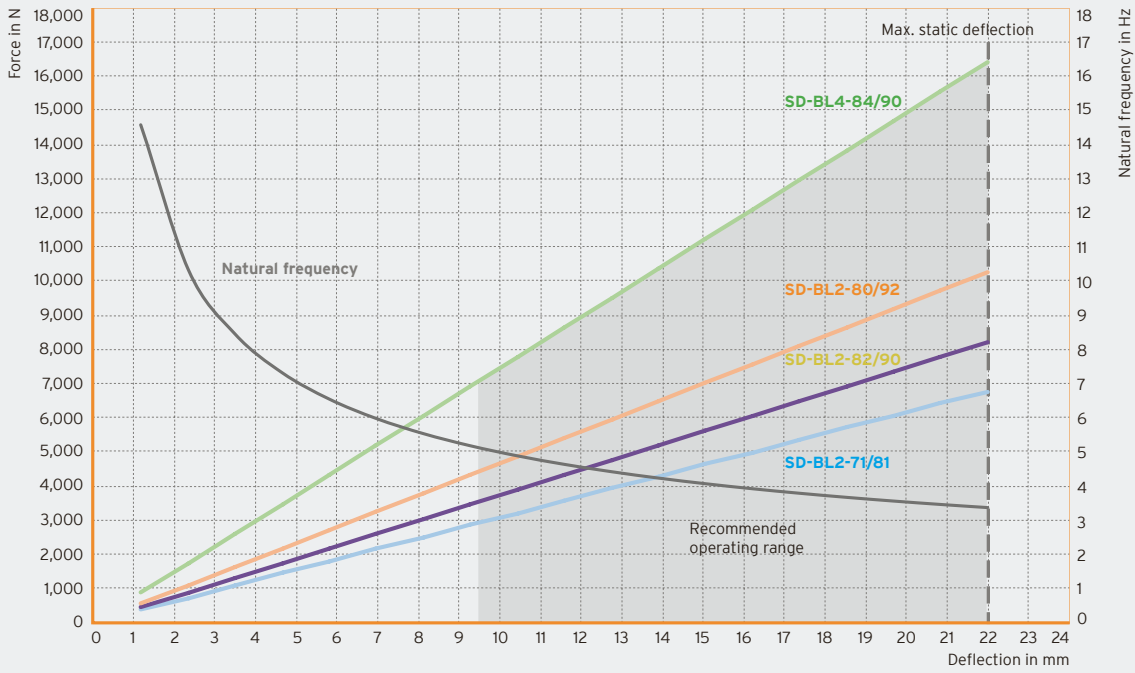


Bearing of pumps with additional mass

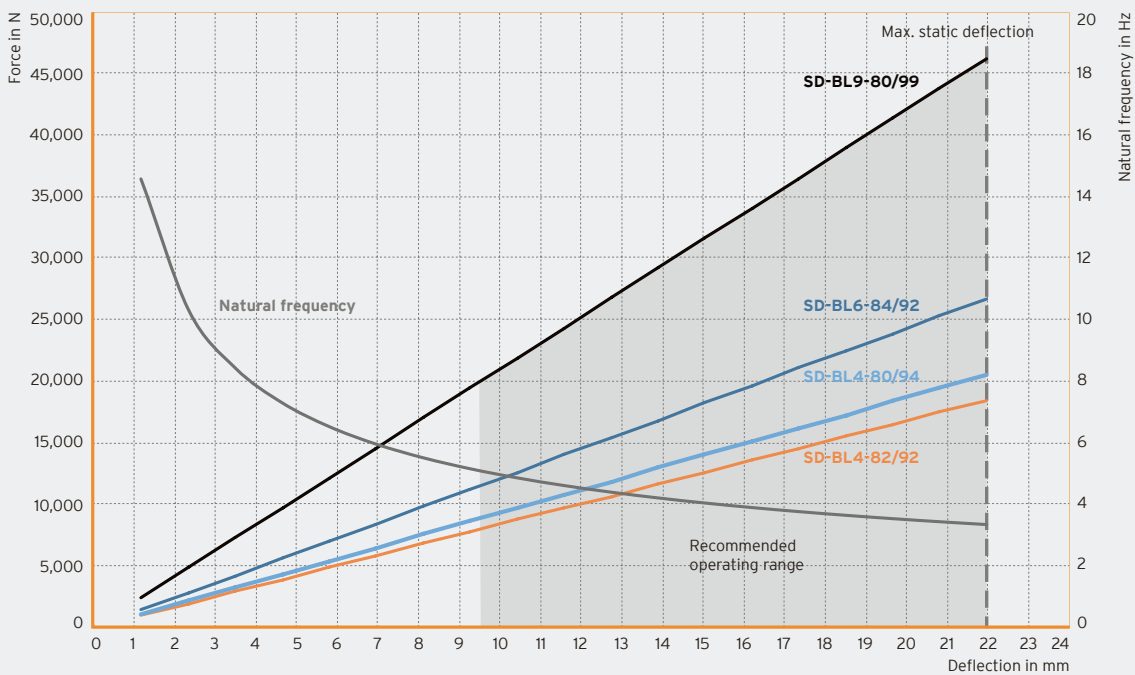


Roof-mounted HVAC system

**Isotop SD-BL2 and SD-BL4**



**Isotop SD-BL 4, SD-BL 6 and SD-BL 9**






# Isotop DMSN

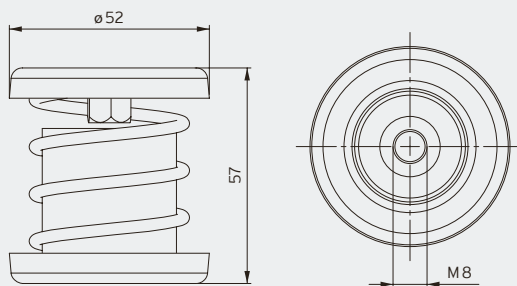
Steel spring isolators for low installation heights, with integrated high-performance dampers

- Natural frequency from 5.3Hz
- Low overall height of 57 mm
- Sylodamp® inside - ideal for machines with several start-stop cycles
- Cathodic dip-coating (CDC) for increased corrosion protection
- Secure connection between the plate and the spring thanks to special adhesive
- M8 internal thread
- Simple load control thanks to open design
- Spring design conforms to DIN EN 13906-1

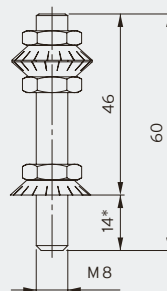
DMSN spring element KTL	Isotop DMSN	KTL	Maximum load		Natural frequency at maximum load	Packaging unit	Order number
			in kg	in N			
	Isotop DMSN 3	KTL	11	108	9.5Hz	50 pcs.	<b>42389</b>
	Isotop DMSN 4	KTL	16	158	7.8Hz	50 pcs.	<b>42390</b>
	Isotop DMSN 5	KTL	33	324	8.1Hz	50 pcs.	<b>42397</b>
	Isotop DMSN 6	KTL	45	441	7.0Hz	50 pcs.	<b>42396</b>
	Isotop DMSN 7	KTL	63	618	6.2Hz	50 pcs.	<b>42394</b>
	Isotop DMSN 8	KTL	100	981	5.3Hz	50 pcs.	<b>42395</b>

Height adjustment for MSN/DMSN 	Isotop NV 1-8 MSN	M8	for DMSN 3 to 8		50 pcs.	<b>47322</b>

Isotop DMSN (unloaded)



Isotop NV 1-8 MSN



\*Thread reach MSN/DMSN



Reciprocating compressor with Isotop DMSN

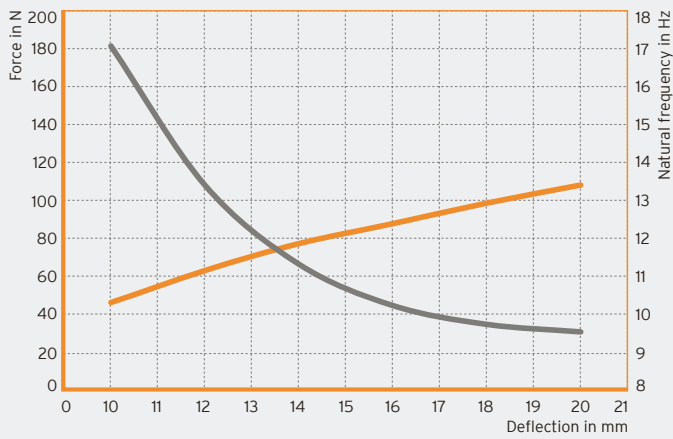


Monoblock heat pump with Isotop DMSN

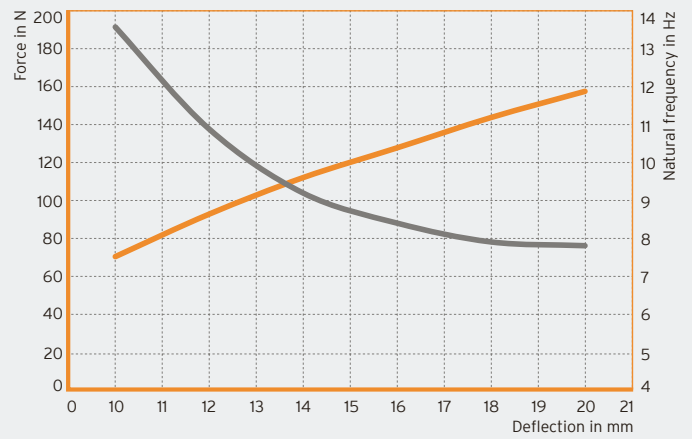


Power generator

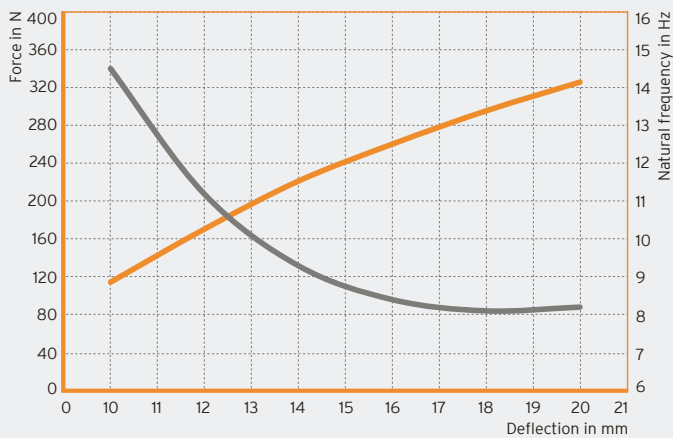
### Isotop DMSN 3



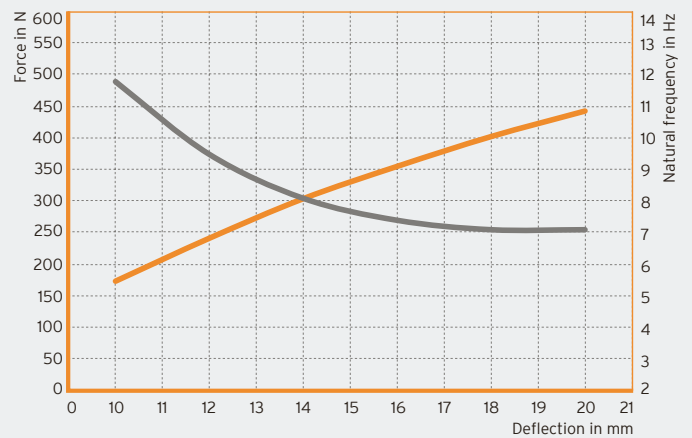
### Isotop DMSN 4



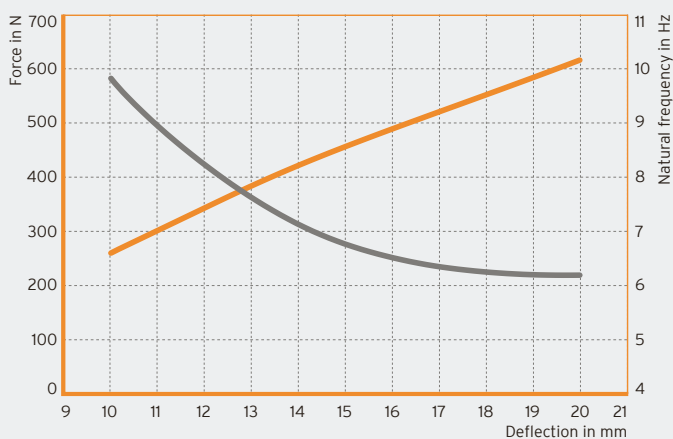
### Isotop DMSN 5



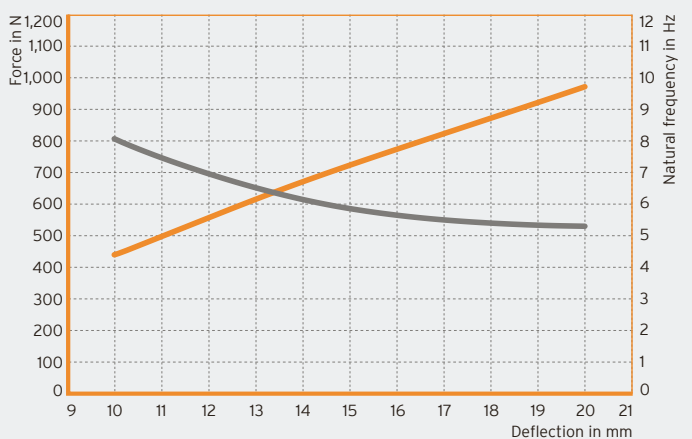
### Isotop DMSN 6



### Isotop DMSN 7



### Isotop DMSN 8




— Force in N  
— Natural frequency in Hz



# Isotop DMSN-BL

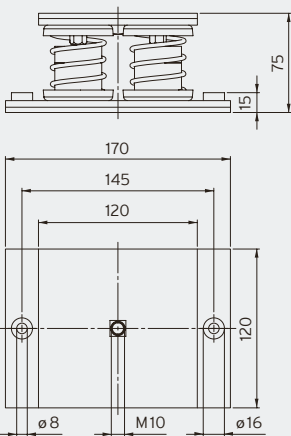
DMSN steel spring block element with high-performance damper for low installation heights and high loads

- Natural frequency from 5.3 Hz
- Low overall height of 75 mm
- High load capacity of up to 1,590 kg per element
- Sylodamp® inside - ideal for machines with several start-stop cycles
- 5 mm top plate and base plate fitted with 4 mm Sylomer® anti-slip plate
- CDC coating of springs and powder coating of pressure plates for outstanding corrosion protection
- Secure connection between the plate and the spring thanks to special adhesive
- Top plate with M10 thread
- Simple load control thanks to open design

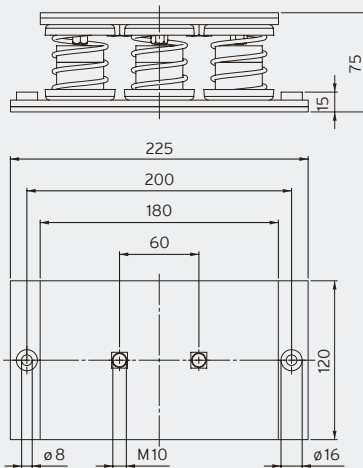
DMSN-BL		Maximum load		Natural frequency at maximum load	Packaging unit	Order number
		in kg	in N			
	Isotop DMSN-BL4-62/72	215	2,109	6.6 Hz	4 pcs.	<b>47239</b>
	Isotop DMSN-BL4-70/84	395	3,875	5.3 Hz	4 pcs.	<b>47240</b>
	Isotop DMSN-BL6-72/84	520	5,101	5.5 Hz	50 pcs.	<b>OR</b>
	Isotop DMSN-BL9-74/85	750	7,358	5.6 Hz	50 pcs.	<b>OR</b>
	Isotop DMSN-BL9-70/89	895	8,780	5.3 Hz	50 pcs.	<b>OR</b>
	Isotop DMSN-BL16-712/804	1,150	11,282	5.9 Hz	50 pcs.	<b>OR</b>
	Isotop DMSN-BL16-700/816	1,590	15,598	5.3 Hz	50 pcs.	<b>OR</b>

Not held in stock. Delivery time on request (approx. 15 working days from the factory).  
OR ... On request

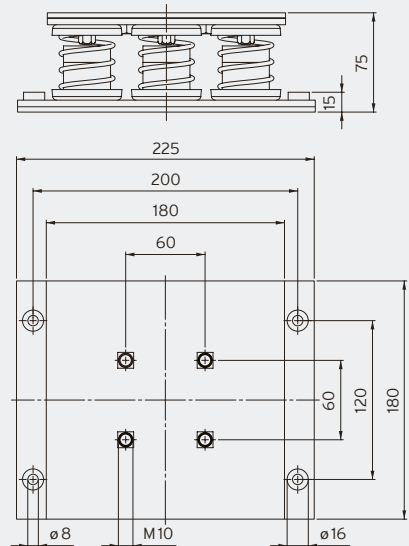
**Isotop DMSN-BL 4 (unloaded)**



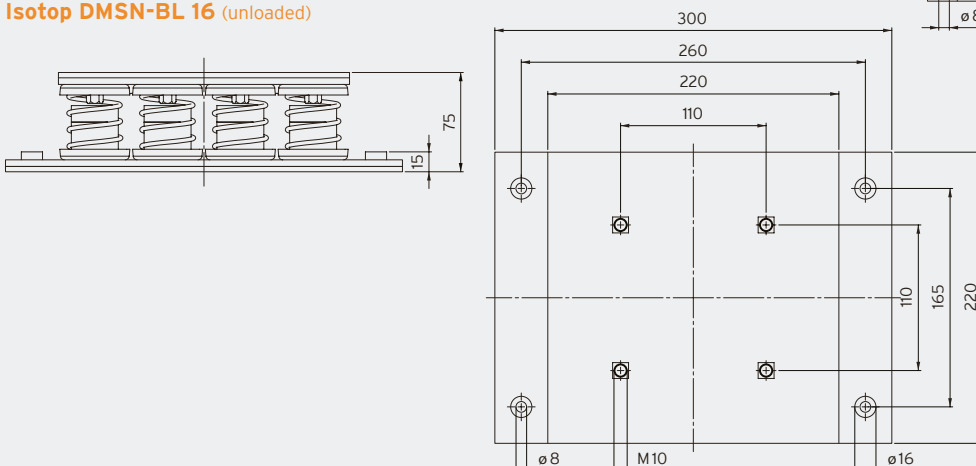
**Isotop DMSN-BL 6 (unloaded)**



**Isotop DMSN-BL 9 (unloaded)**



**Isotop DMSN-BL 16 (unloaded)**



Customised block elements available on request

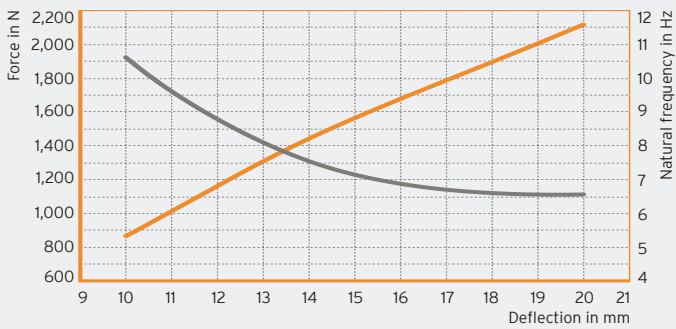


Base of a textile machine on Isotop DM-SN-BL (special version)

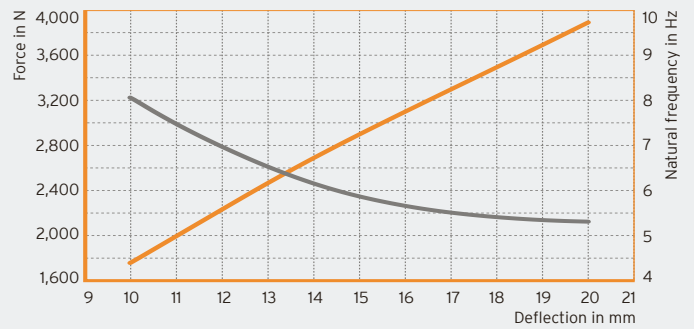


Small combined heat and power plant on Isotop DMSN-BL (special version)

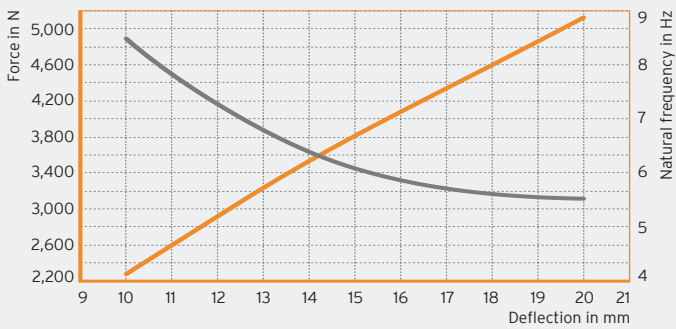
**Isotop DMSN-BL4-62/72**



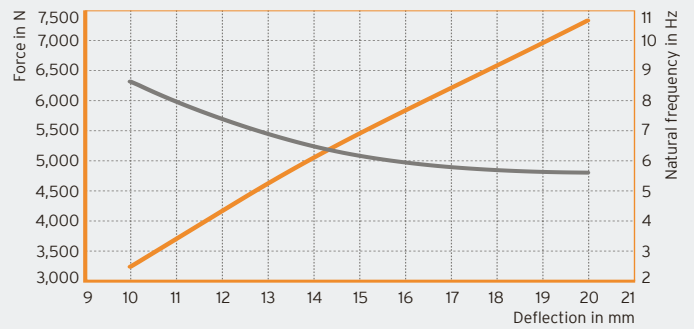
**Isotop DMSN-BL4-70/84**



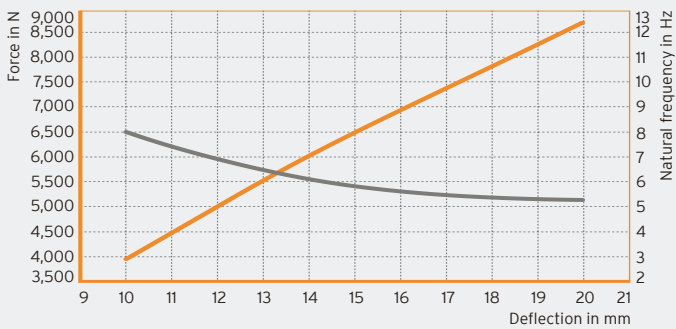
**Isotop DMSN-BL6-72/84**



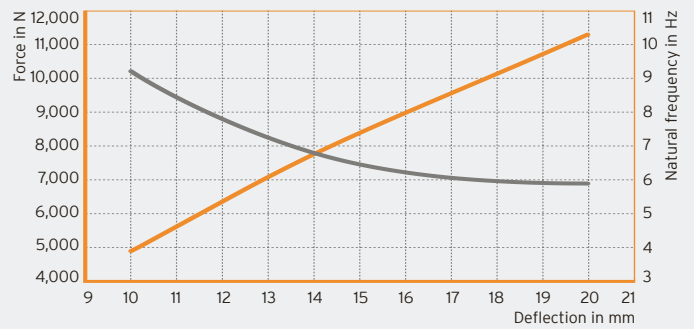
**Isotop DMSN-BL9-74/85**



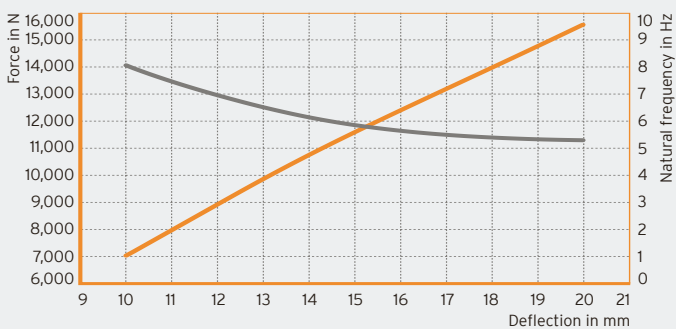
**Isotop DMSN-BL9-70/89**



**Isotop DMSN-BL16-712/804**



**Isotop DMSN-BL16-700/816**







— Force in N  
— Natural frequency in Hz



# Isotop DSD

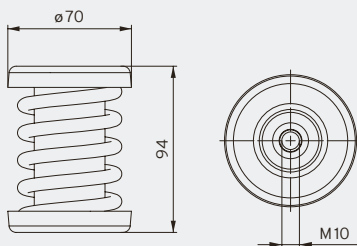
Steel spring isolators with integrated high-performance dampers

- Natural frequency from 4.2Hz
- Sylodamp® inside - ideal for machines with several start-stop cycles
- Cathodic dip-coating (CDC) for increased corrosion protection
- Secure connection between the plate and the spring thanks to special adhesive
- M10 internal thread
- Suitable base plate and/or height adjustment available
- Base plate with damping element (FP/K) also isolates higher frequencies
- Simple load control thanks to open design
- Spring design conforms to DIN EN 13906-1

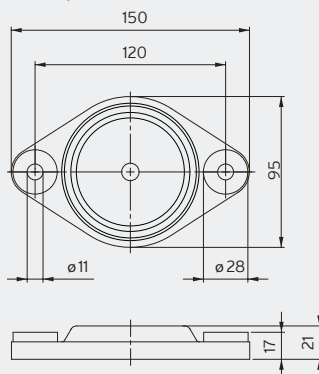
		Maximum load		Natural frequency at maximum load	Packaging unit	Order number
		in kg	in N			
<b>DSD spring element KTL</b> 	Isotop DSD 1 KTL	24	235	5.6 Hz	50 pcs.	<b>39492</b>
	Isotop DSD 2 KTL	39	383	4.9 Hz	50 pcs.	<b>39493</b>
	Isotop DSD 3 KTL	57	559	4.8 Hz	50 pcs.	<b>39495</b>
	Isotop DSD 4 KTL	87	853	4.2 Hz	50 pcs.	<b>39496</b>
	Isotop DSD 5 KTL	140	1,373	4.8 Hz	50 pcs.	<b>39497</b>
	Isotop DSD 6 KTL	200	1,962	4.3 Hz	50 pcs.	<b>39157</b>
	Isotop DSD 7 KTL	365	3,581	5.2 Hz	50 pcs.	<b>39498</b>
	Isotop DSD 8 KTL	470	4,611	4.7 Hz	50 pcs.	<b>39499</b>
	Isotop DSD 9 KTL	650	6,377	4.6 Hz	50 pcs.	<b>39500</b>
<b>Base plate FP/K with damping element for SD/DSD</b> 	Isotop FP/K 1-9 KTL		for DSD 1 to 9	including screws <sup>1</sup>	50 pcs.	<b>39158</b>
<b>Base plate FP for SD/DSD</b> 	Isotop FP 1-9 KTL		for DSD 1 to 9	without screws	50 pcs.	<b>39537</b>
<b>Height adjustment for SD/DSD</b> 	Isotop NV 1-9	M10	for DSD 1 to 9		50 pcs.	<b>47321</b>

<sup>1</sup> M10 connecting screws between base plate and spring

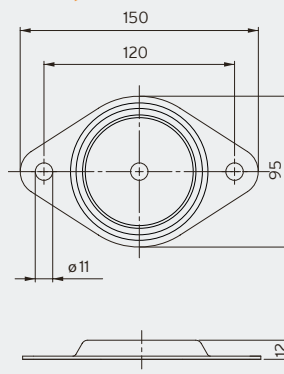
**Isotop SD (unloaded)**



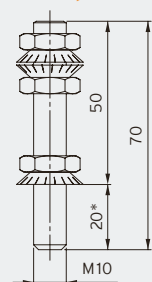
**Isotop FP/K**



**Isotop FP**



**Isotop NV 1-9**



\*Thread reach SD/DSD





Small combined heat and power plant

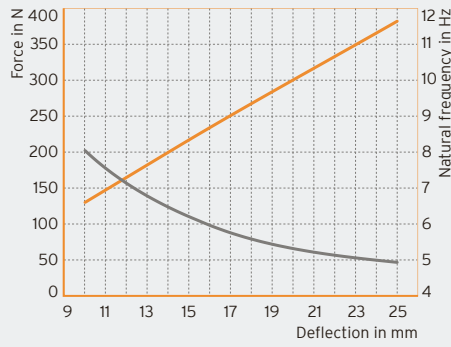


Roof-mounted recoler

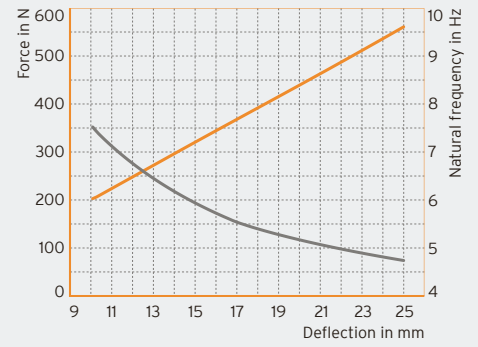
Isotop DSD 1



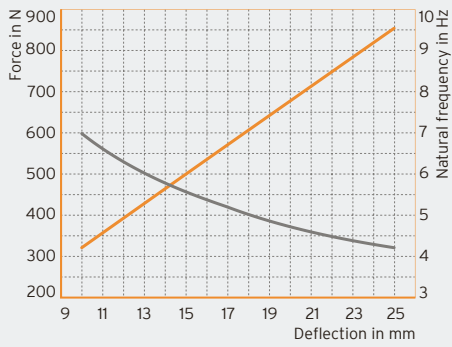
Isotop DSD 2



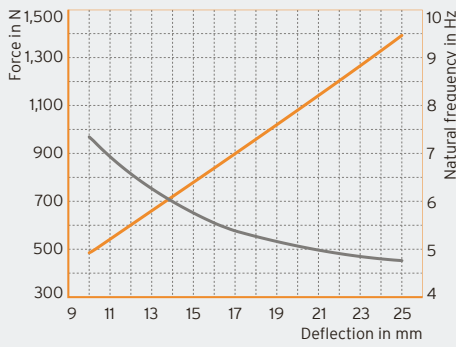
Isotop DSD 3



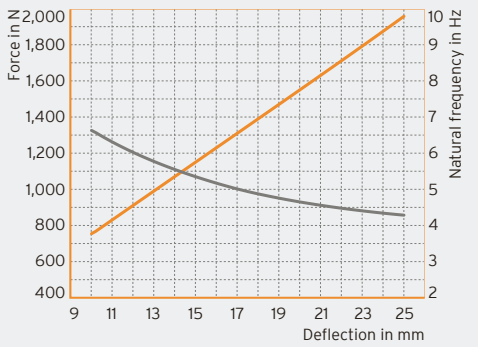
Isotop DSD 4



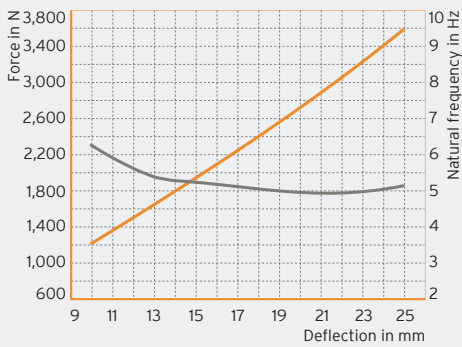
Isotop DSD 5



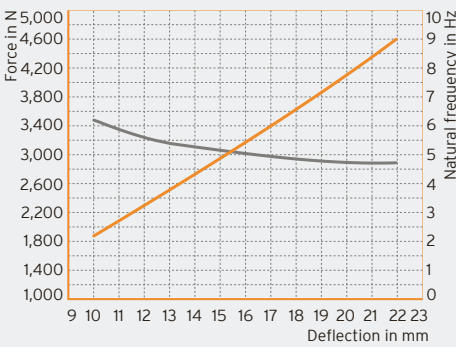
Isotop DSD 6



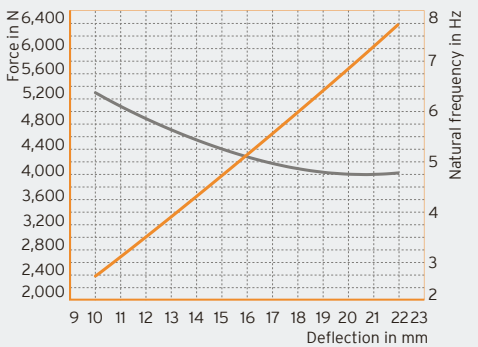
Isotop DSD 7



Isotop DSD 8



Isotop DSD 9




— Force in N  
— Natural frequency in Hz



# Isotop DSD-BL

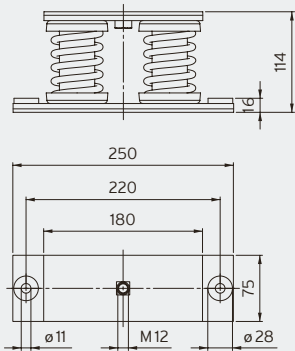
## DSD steel spring block element with high-performance damper

- Natural frequency from 4.3Hz
- High load capacity of up to 5,850 kg per element
- Sylodamp® inside - ideal for machines with several start-stop cycles
- CDC coating of springs and powder coating of pressure plates for outstanding corrosion protection
- 6 mm top plate and base plate fitted with 4 mm Sylomer® anti-slip plate
- Secure connection between the plate and the spring thanks to special adhesive
- Top plate with M12 thread
- Simple load control thanks to open design

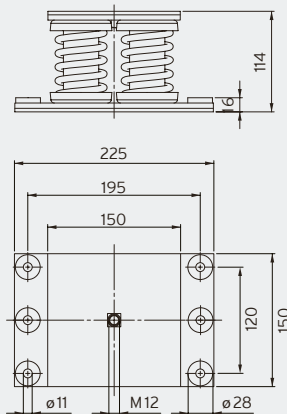
DSD-BL	Isotop DSD-BL2-62/70	Maximum load		Natural frequency at maximum load	Packaging unit	Order number
		in kg	in N			
	Isotop DSD-BL2-62/70	400	3,924	4.3 Hz	4 pcs.	<b>47257</b>
	Isotop DSD-BL2-72/80	730	7,161	5.2 Hz	4 pcs.	<b>47258</b>
	Isotop DSD-BL2-82/90	940	9,221	4.7 Hz	4 pcs.	<b>47264</b>
	Isotop DSD-BL2-81/91	1,120	10,987	4.7 Hz	4 pcs.	<b>47262</b>
	Isotop DSD-BL2-80/92	1,300	12,753	4.6 Hz	4 pcs.	<b>47260</b>
	Isotop DSD-BL4-72/82	1,560	15,304	4.8 Hz	4 pcs.	<b>47271</b>
	Isotop DSD-BL4-84/90	1,880	18,443	4.7 Hz	4 pcs.	<b>47275</b>
	Isotop DSD-BL4-82/92	2,240	21,974	4.7 Hz	4 pcs.	<b>47274</b>
	Isotop DSD-BL4-80/94	2,600	25,506	4.6 Hz	4 pcs.	<b>47272</b>
	Isotop DSD-BL6-86/90	2,820	27,664	4.7 Hz	50 pcs.	<b>OR</b>
	Isotop DSD-BL6-80/96	3,900	38,259	4.6 Hz	50 pcs.	<b>OR</b>
	Isotop DSD-BL9-80/99	5,850	57,389	4.6 Hz	50 pcs.	<b>OR</b>

Not held in stock. Delivery time on request (approx. 15 working days from the factory).  
OR ... On request

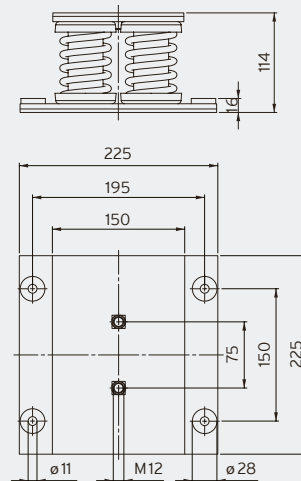
**Isotop DSD-BL 2 (unloaded)**



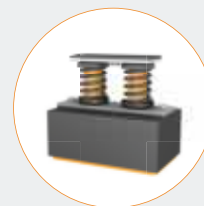
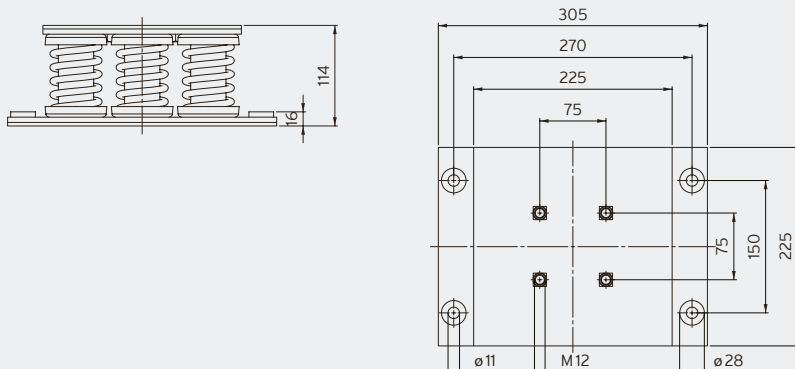
**Isotop DSD-BL 4 (unloaded)**



**Isotop DSD-BL 6 (unloaded)**



**Isotop DSD-BL 9 (unloaded)**



**Isotop DSD-BL2 and DSD-BL4 optionally available with spacer base**

Details on page 28



**Customised block elements available on request**

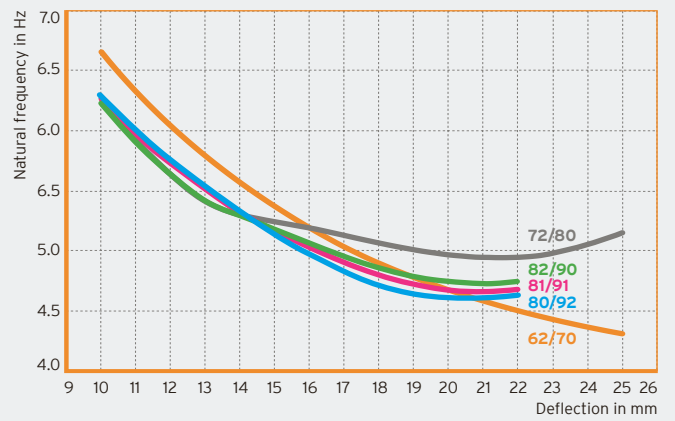
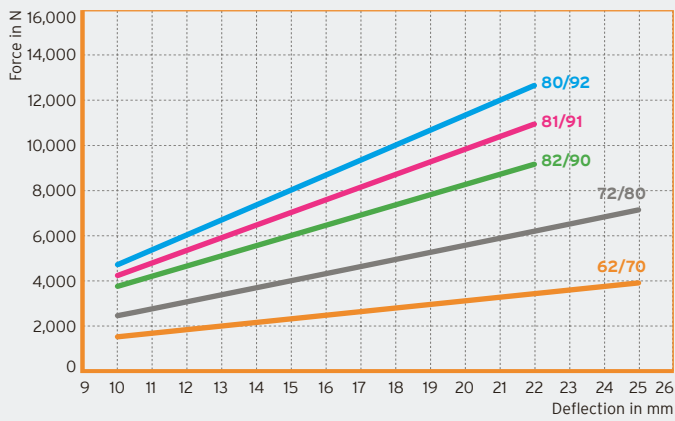


On-roof installation of an HVAC system with relatively high wind loads

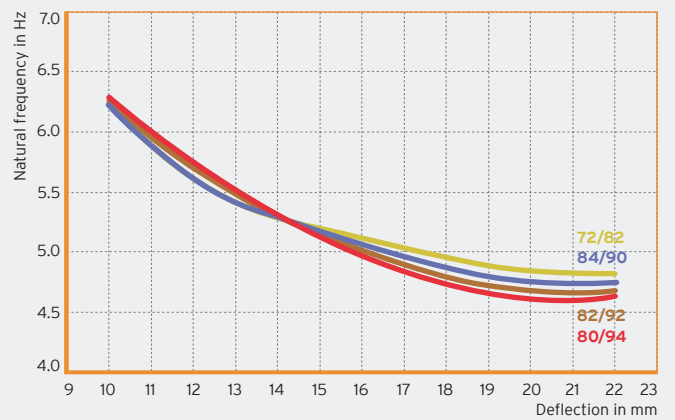
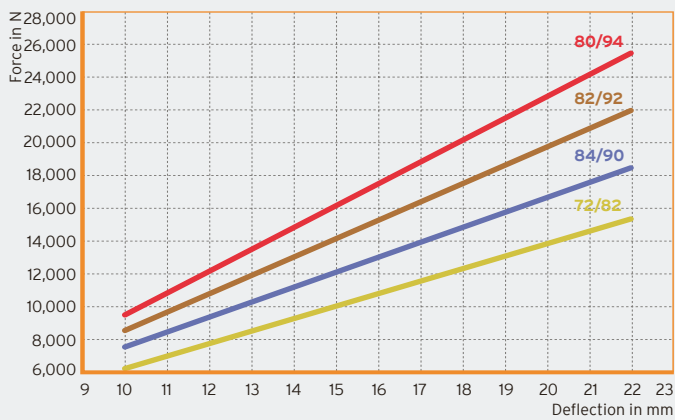


Large combined heat and power plant with several start-stop cycles

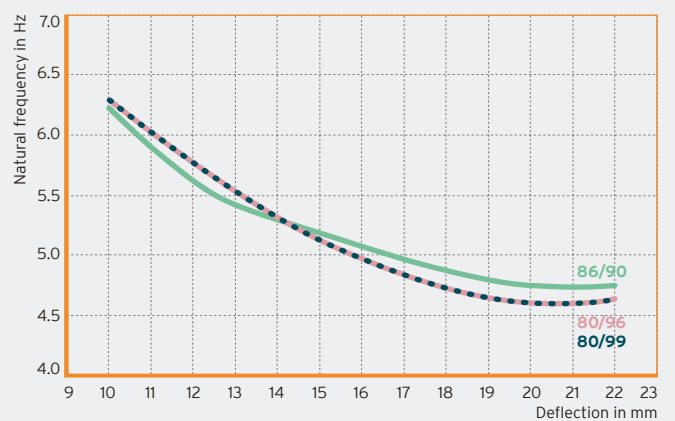
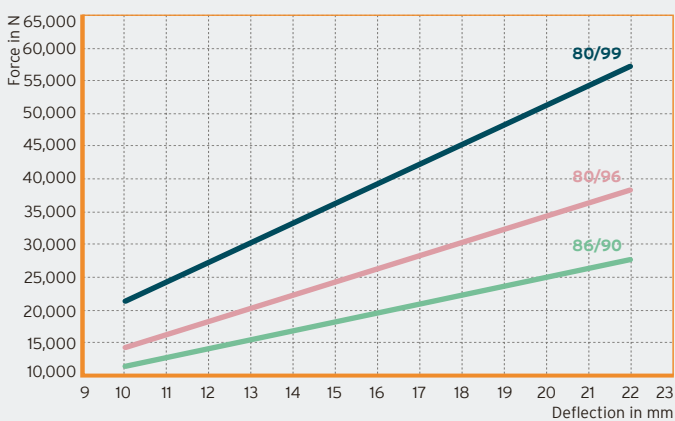
### Isotop DSD-BL 2

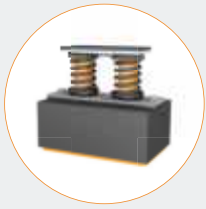


### Isotop DSD-BL 4



### Isotop DSD-BL 6 and DSD-BL 9





# Isotop DT

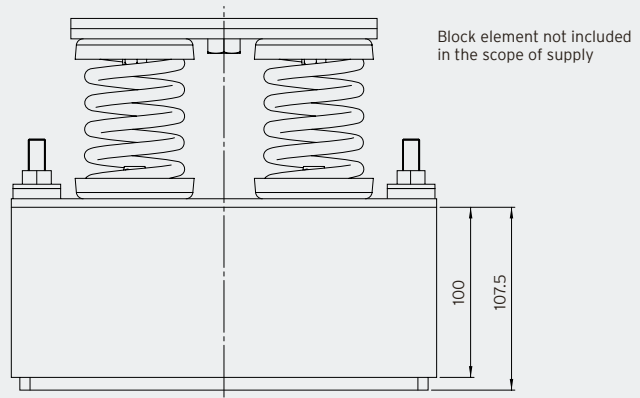
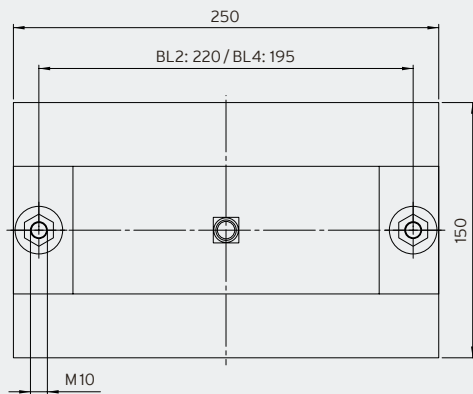
## Spacer base with high chemical resistance

- High resistance to chemicals such as glycol thanks to polyethylene
- Includes anti-slip plate made from Sylodyn®
- Polyethylene spacer base
- Can be combined with Isotop SD-BL 2 and 4 as well as Isotop DSD-BL 2 and 4 (not included in the scope of supply)
- Screws for connecting the block elements are included in the scope of supply

		Maximum load in kg	Maximum load in N	Natural frequency at maximum load	Packaging unit	Order number
	Isotop DT	-	-	-	4 pcs.	<b>47169</b>

Not held in stock. Delivery time on request (approx. 15 working days from the factory).

### Isotop DT (unloaded)





Isotop DT pre-mounted on device frame



Unit installation with pre-mounted Isotop DT



Unit installation in the drip tray






Air conditioning unit with Isotop DT and Isotop DSD-BL2  
(not included in the scope of supply)



# Isotop MSN-DAMP

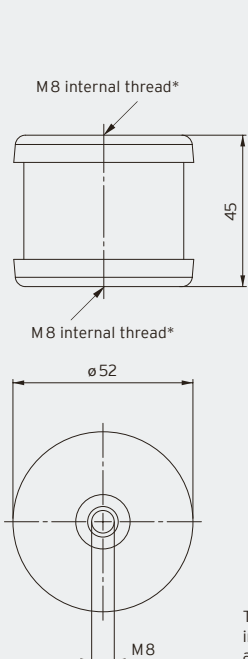
Vibration damper with metal caps and threaded fastening

- Natural frequency from 7.4Hz
- Low overall height of 45 mm (T/T version)
- 37.5 mm Sylomer® inside
- Cathodic dip-coated (CDC) metal caps for increased corrosion protection
- Secure connection between the plate and the polyurethane damper thanks to special adhesive
- M8 internal thread and/or M8 stud bolts for easy screw-fixing
- Available in three different attachment options

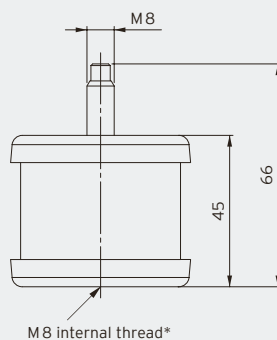
		Maximum load		Natural frequency at maximum load	Packaging unit	Order number
		in kg	in N			
 <b>MSN-DAMP T/T</b>	Isotop MSN-DAMP-70 T/T	6	59	8.6Hz	OR	<b>OR</b>
	Isotop MSN-DAMP-110 T/T	10	98	9.2Hz	50 pcs.	<b>39501</b>
	Isotop MSN-DAMP-170 T/T	19	187	7.9Hz	50 pcs.	<b>39502</b>
	Isotop MSN-DAMP-280 T/T	25	246	7.4Hz	OR	<b>OR</b>
	Isotop MSN-DAMP-350 T/T	35	343	8.1Hz	50 pcs.	<b>39503</b>
 <b>MSN-DAMP B/T</b>	Isotop MSN-DAMP-70 B/T	6	59	8.6Hz	OR	<b>OR</b>
	Isotop MSN-DAMP-110 B/T	10	98	9.2Hz	50 pcs.	<b>41715</b>
	Isotop MSN-DAMP-170 B/T	19	187	7.9Hz	50 pcs.	<b>41716</b>
	Isotop MSN-DAMP-280 B/T	25	246	7.4Hz	OR	<b>OR</b>
	Isotop MSN-DAMP-350 B/T	35	343	8.1Hz	50 pcs.	<b>41717</b>
 <b>MSN-DAMP B/B</b>	Isotop MSN-DAMP-70 B/B	6	59	8.6Hz	OR	<b>OR</b>
	Isotop MSN-DAMP-110 B/B	10	98	9.2Hz	50 pcs.	<b>41720</b>
	Isotop MSN-DAMP-170 B/B	19	187	7.9Hz	50 pcs.	<b>41721</b>
	Isotop MSN-DAMP-280 B/B	25	246	7.4Hz	OR	<b>OR</b>
	Isotop MSN-DAMP-350 B/B	35	343	8.1Hz	50 pcs.	<b>41722</b>

OR ... On request

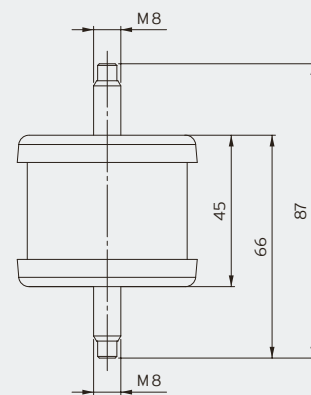
**Isotop MSN-DAMP T/T (unloaded)**



**Isotop MSN-DAMP B/T (unloaded)**



**Isotop MSN-DAMP B/B (unloaded)**



Thread reach into the internal thread max. approx. 15 mm



Bearing of a reciprocating compressor with Isotop MSN-DAMP

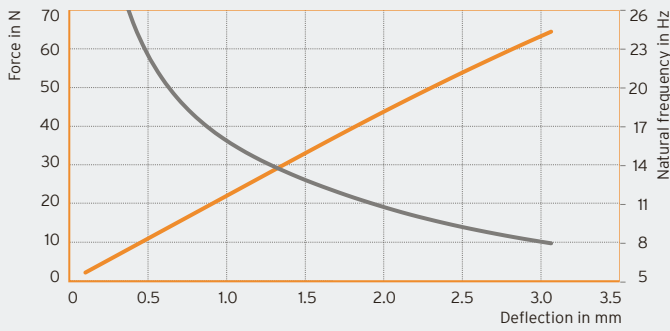


Bearing of a compressor assembly on an internal frame

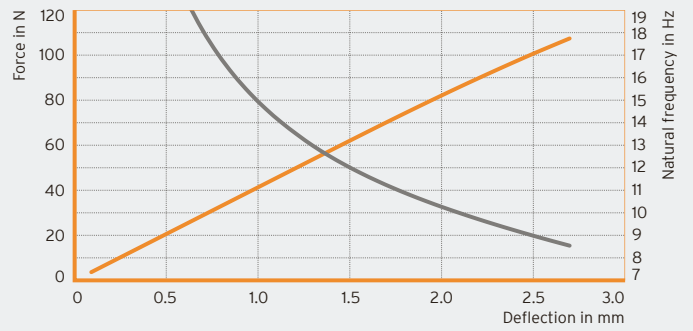


Compressor bearing concept with Sylomer® CGR and Isotop MSN-DAMP

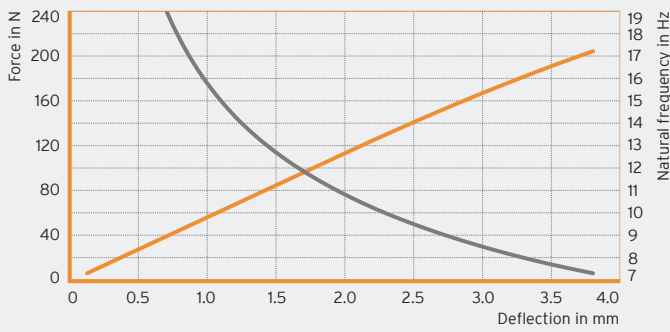
**Isotop MSN-DAMP 70**



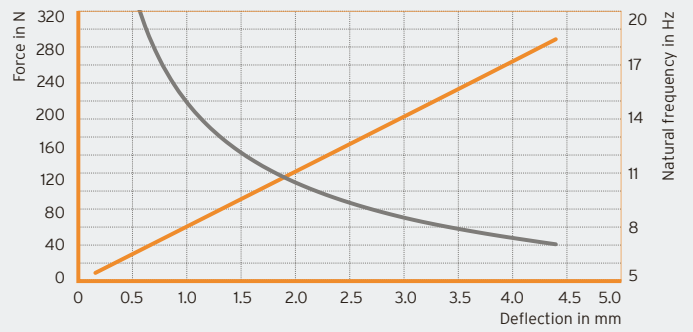
**Isotop MSN-DAMP 110**



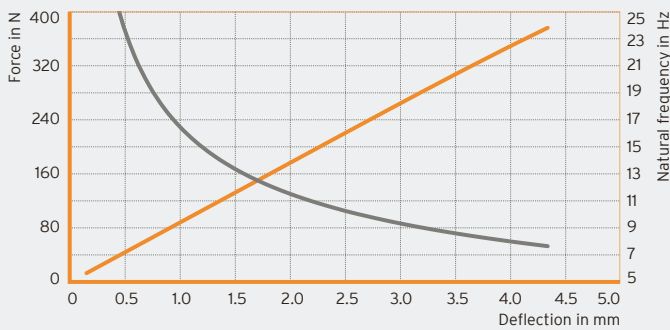
**Isotop MSN-DAMP 170**



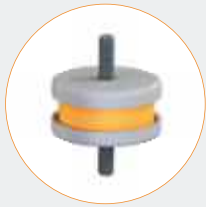
**Isotop MSN-DAMP 280**



**Isotop MSN-DAMP 350**







— Force in N  
 — Natural frequency in Hz



# Isotop Compact

Vibration damper for low installation heights,  
with diverse attachment options

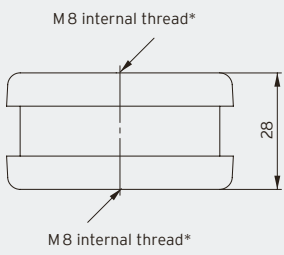
- Natural frequency from 9.9Hz
- Very low overall height of 28 mm (T/T version)
- Load capacity of up to 95 kg per element
- 25 mm Sylomer® or Sylodyn® inside
- High level of corrosion protection
- Secure connection between the plate and the polyurethane damper thanks to special adhesive
- M8 internal thread and/or M8 stud bolts for easy screw-fixing
- Available in four different attachment options
- Can also be used as an anti-slip machine mounting (B/- version)

		Maximum load		Natural frequency at maximum load	Packaging unit	Order number
		in kg	in N			
<b>Compact T/T</b>  	Isotop Compact-4 T/T	4	41	12.1Hz	50 pcs.	<b>39504</b>
	Isotop Compact-9 T/T	8	79	11.6Hz	50 pcs.	<b>39505</b>
	Isotop Compact-15 T/T	15	147	11.5Hz	50 pcs.	<b>39506</b>
	Isotop Compact-20 T/T	27	264	10.7 Hz	50 pcs.	<b>39507</b>
	Isotop Compact-40 T/T	37	363	10.0 Hz	50 pcs.	<b>38884</b>
	Isotop Compact-50 T/T	50	491	10.9 Hz	50 pcs.	<b>39508</b>
	Isotop Compact-70 T/T	63	619	9.9 Hz	50 pcs.	<b>39509</b>
	Isotop Compact-100 T/T	95	931	10.5 Hz	50 pcs.	<b>39511</b>
<b>Compact B/B</b>  	Isotop Compact-4 B/B	4	41	12.1Hz	50 pcs.	<b>39521</b>
	Isotop Compact-9 B/B	8	79	11.6Hz	50 pcs.	<b>39522</b>
	Isotop Compact-15 B/B	15	147	11.5Hz	50 pcs.	<b>39523</b>
	Isotop Compact-20 B/B	27	264	10.7 Hz	50 pcs.	<b>39524</b>
	Isotop Compact-40 B/B	37	363	10.0 Hz	50 pcs.	<b>39525</b>
	Isotop Compact-50 B/B	50	491	10.9 Hz	50 pcs.	<b>39526</b>
	Isotop Compact-70 B/B	63	619	9.9 Hz	50 pcs.	<b>39527</b>
	Isotop Compact-100 B/B	95	931	10.5 Hz	50 pcs.	<b>39529</b>
<b>Compact B/T</b>  	Isotop Compact-4 B/T	4	41	12.1Hz	50 pcs.	<b>39512</b>
	Isotop Compact-9 B/T	8	79	11.6Hz	50 pcs.	<b>39513</b>
	Isotop Compact-15 B/T	15	147	11.5Hz	50 pcs.	<b>39514</b>
	Isotop Compact-20 B/T	27	264	10.7 Hz	50 pcs.	<b>39515</b>
	Isotop Compact-40 B/T	37	363	10.0 Hz	50 pcs.	<b>39516</b>
	Isotop Compact-50 B/T	50	491	10.9 Hz	50 pcs.	<b>39517</b>
	Isotop Compact-70 B/T	63	619	9.9 Hz	50 pcs.	<b>39518</b>
	Isotop Compact-100 B/T	95	931	10.5 Hz	50 pcs.	<b>39520</b>
<b>Compact B/-</b>  	Isotop Compact-4 B/-	4	41	12.1Hz	50 pcs.	<b>41135</b>
	Isotop Compact-9 B/-	8	79	11.6Hz	50 pcs.	<b>41136</b>
	Isotop Compact-15 B/-	15	147	11.5 Hz	50 pcs.	<b>41137</b>
	Isotop Compact-20 B/-	27	264	10.7 Hz	50 pcs.	<b>41138</b>
	Isotop Compact-40 B/-	37	363	10.0 Hz	50 pcs.	<b>41139</b>
	Isotop Compact-50 B/-	50	491	10.9 Hz	50 pcs.	<b>41140</b>
	Isotop Compact-70 B/-	63	619	9.9 Hz	50 pcs.	<b>41141</b>
	Isotop Compact-100 B/-	95	931	10.5 Hz	50 pcs.	<b>41143</b>

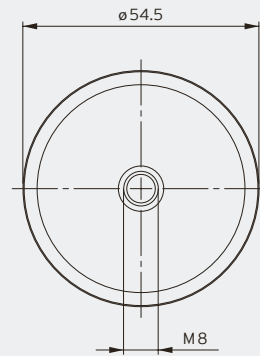
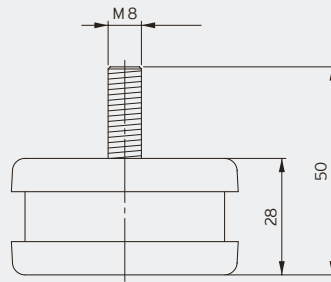
Compact -70 and -100: Not held in stock. Delivery time on request.



**Isotop Compact T/T (unloaded)**

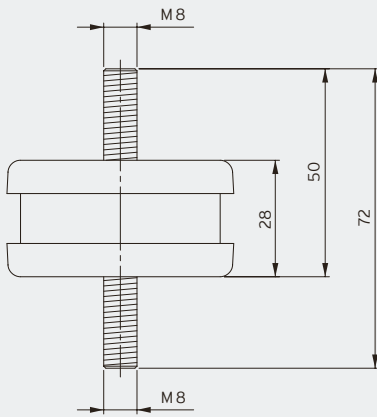


**Isotop Compact B/T (unloaded)**

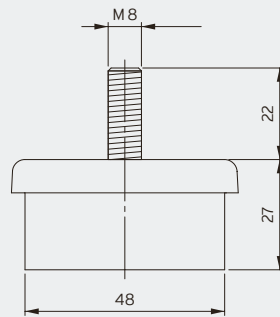


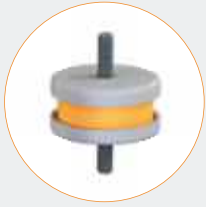
\* Thread reach for internal thread max. 7 mm

**Isotop Compact B/B (unloaded)**



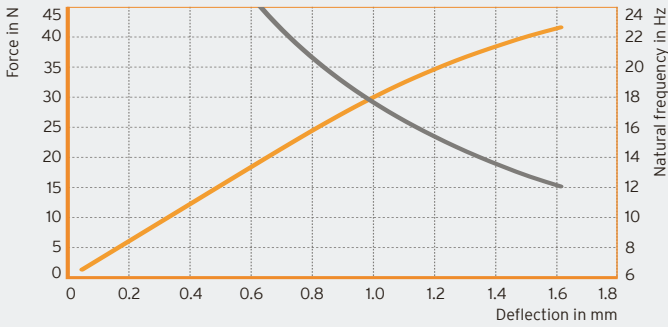
**Isotop Compact B/- (unloaded)**



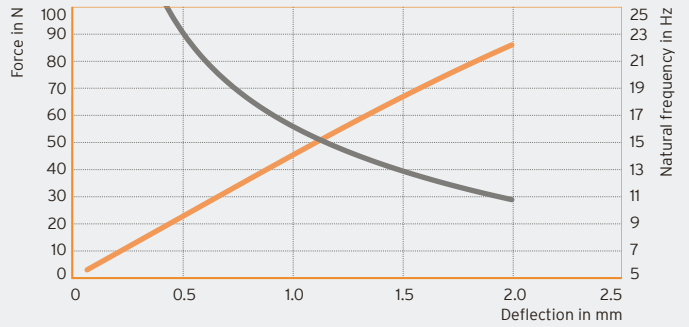


# Isotop Compact

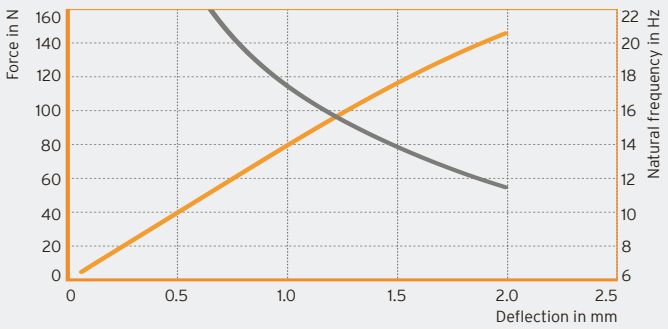
**Isotop Compact 4**



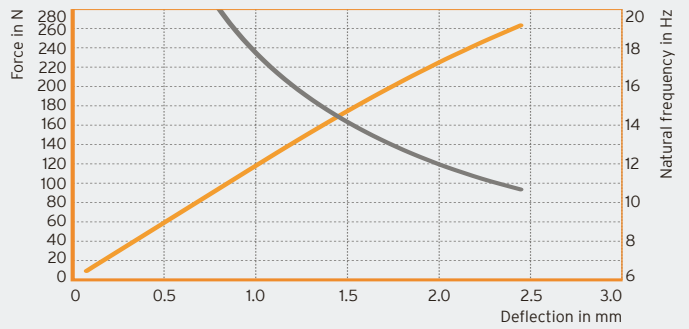
**Isotop Compact 9**



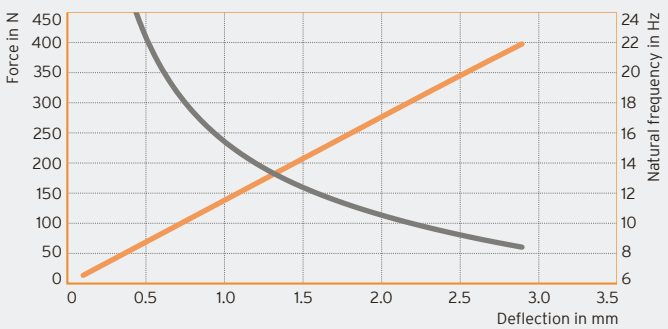
**Isotop Compact 15**



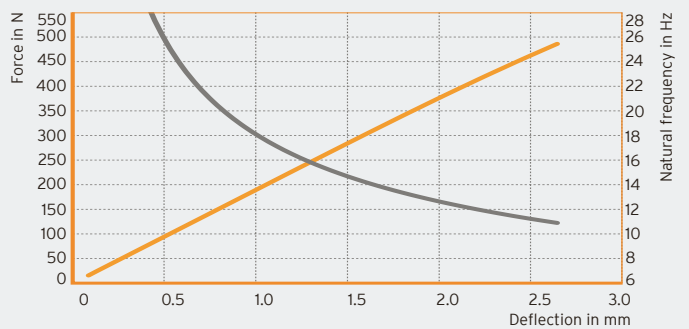
**Isotop Compact 20**



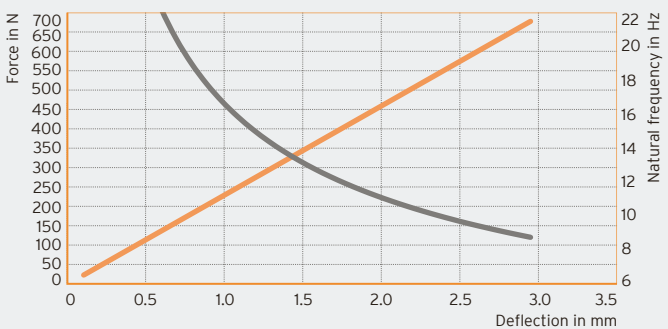
**Isotop Compact 40**



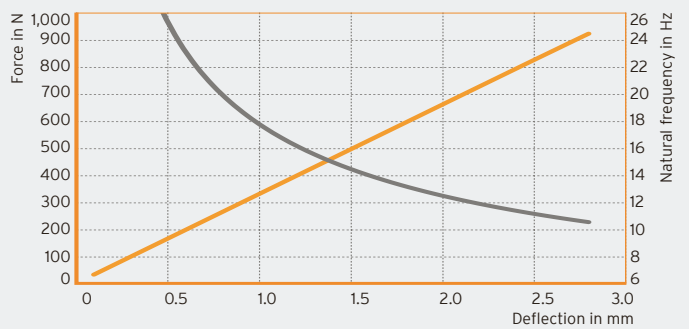
**Isotop Compact 50**



**Isotop Compact 70**



**Isotop Compact 100**



— Force in N  
— Natural frequency in Hz



Small air compressor on Isotop Compact B/-



Heat pump bearing with Isotop Compact



External air conditioning unit on wall bracket






Bearing of a reciprocating compressor with Isotop Compact



# Isotop MSN/Z, MSN/Z-LC and SD/Z

Tension elements as ceiling hanger  
for building services equipment

- Natural frequency from 3.2Hz
- Load capacities of up to 420kg per spring (SD/Z)
- Secure connection between the plate and the spring thanks to special adhesive
- High level of corrosion protection
- M8 (MSN/Z and MSN/Z-LC) or M10 (SD/Z) internal thread
- Simple load control thanks to open design

		Maximum load		Natural frequency at maximum load	Packaging unit	Order number
		in kg	in N			
 <b>MSN/Z</b>	Isotop MSN/Z 1	3	29	3.5 Hz	20 pcs.	<b>39538</b>
	Isotop MSN/Z 2	5	49	3.5 Hz	20 pcs.	<b>38850</b>
	Isotop MSN/Z 3	9	88	3.5 Hz	20 pcs.	<b>38851</b>
	Isotop MSN/Z 4	14	137	3.5 Hz	20 pcs.	<b>38643</b>
	Isotop MSN/Z 5	23	226	3.5 Hz	20 pcs.	<b>38644</b>
	Isotop MSN/Z 6	35	343	3.5 Hz	20 pcs.	<b>38852</b>
	Isotop MSN/Z 7	53	519	3.5 Hz	20 pcs.	<b>38853</b>
	Isotop MSN/Z 8	90	883	3.5 Hz	20 pcs.	<b>39539</b>
 <b>MSN/Z-LC</b>	Isotop MSN/Z-LC 1	3	29	3.5 Hz	100 pcs.	<b>39540</b>
	Isotop MSN/Z-LC 2	5	49	3.5 Hz	100 pcs.	<b>39541</b>
	Isotop MSN/Z-LC 3	9	88	3.5 Hz	100 pcs.	<b>39542</b>
	Isotop MSN/Z-LC 4	14	137	3.5 Hz	100 pcs.	<b>39543</b>
	Isotop MSN/Z-LC 5	23	226	3.5 Hz	100 pcs.	<b>39544</b>
	Isotop MSN/Z-LC 6	35	343	3.5 Hz	100 pcs.	<b>38548</b>
	Isotop MSN/Z-LC 7	53	519	3.5 Hz	100 pcs.	<b>39545</b>
	Isotop MSN/Z-LC 8	90	883	3.5 Hz	100 pcs.	<b>39546</b>
 <b>SD/Z</b>	Isotop SD/Z 1	20	196	3.2 Hz	20 pcs.	<b>39547</b>
	Isotop SD/Z 2	33	324	3.2 Hz	20 pcs.	<b>39548</b>
	Isotop SD/Z 3	52	510	3.2 Hz	20 pcs.	<b>39549</b>
	Isotop SD/Z 4	82	804	3.2 Hz	20 pcs.	<b>39550</b>
	Isotop SD/Z 5	123	1,206	3.2 Hz	20 pcs.	<b>39551</b>
	Isotop SD/Z 6	195	1,913	3.2 Hz	20 pcs.	<b>39552</b>
	Isotop SD/Z 7	310	3,041	3.2 Hz	20 pcs.	<b>39553</b>
	Isotop SD/Z 8	420	4,120	3.2 Hz	OR	<b>OR</b>

MSN/Z-LC: Not held in stock. Delivery time on request (approx. 15 working days from the factory)  
OR ... On request

The Isotop SD/Z and MSN/Z ceiling hangers are only suitable for use as pipe suspension or for fans in technical building services. This means for water, waste water, water heating systems and ventilation duct construction.

For pipes in industrial production processes that are subject to the requirements of EN 13480 or similar national standards regarding pressure equipment, these ceiling hangers are not suitable, as the maximum deflection is limited (see graph).



Pipework suspension with Isotop SD/Z

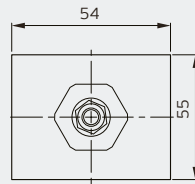
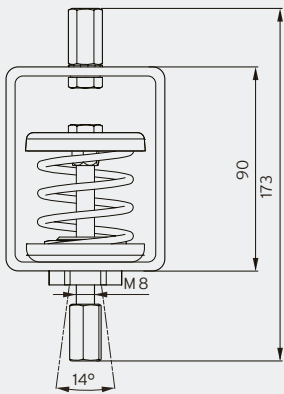


Decoupled pipes with Isotop SD/Z

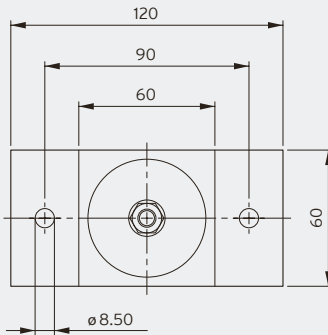
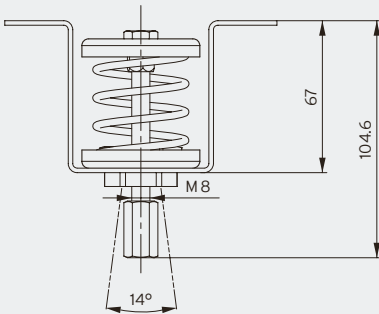


Ceiling hanger Isotop MSN/Z-LC

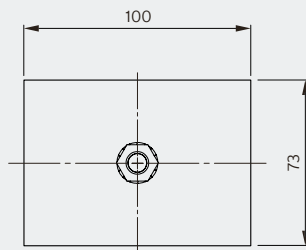
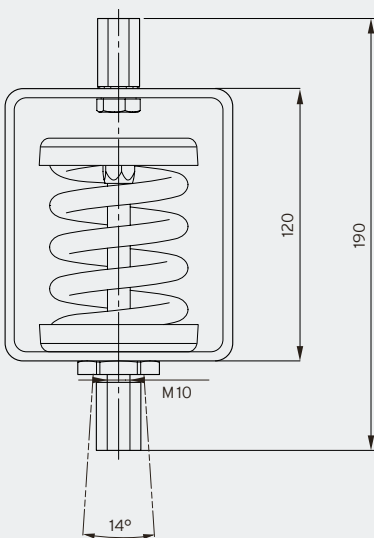
**MSN/Z (unloaded)**



**MSN/Z-LC (unloaded)**



**SD/Z (unloaded)**








# Isotop DZE

## Pressure-tension element with high-performance damper

- Natural frequency from 7 Hz
- Resistant to compression and tension
- Reduces high amplitudes
- Can be used from an installation height of 49 mm (DZE Mini)
- Sylodyn® and Sylodamp® inside
- Load capacity of more than 4 t per element (DZE-BL)
- Stainless steel housing and continuous stainless steel piping for highest levels of corrosion protection
- Rapid installation thanks to pre-assembled elements

		Maximum load		Natural frequency at maximum load	Packaging unit	Order number
		in kg	in N			
 <b>DZE Mini</b>	Isotop DZE Mini NB SP1	8	79	11.3 Hz	10 pcs.	<b>49217</b>
	Isotop DZE Mini NC SP1	17	167	10.7 Hz	10 pcs.	<b>49218</b>
	Isotop DZE Mini ND SP3	35	373	9.6 Hz	10 pcs.	<b>49219</b>
	Isotop DZE Mini NE SP3	60	589	9.9 Hz	10 pcs.	<b>49220</b>
	Isotop DZE Mini NF SP3	100	981	9.8 Hz	10 pcs.	<b>49221</b>
	Isotop DZE Mini HRB 3 SP3	230	2,256	11.6 Hz	10 pcs.	<b>49222</b>

 <b>DZE</b>	Isotop DZE-1-NB-SP	Single layer	26	256	10.9 Hz	10 pcs.	<b>39614</b>
	Isotop DZE-1-NC-SP	Single layer	53	520	9.5 Hz	10 pcs.	<b>39615</b>
	Isotop DZE-1-ND-SP	Single layer	115	1,129	9.8 Hz	10 pcs.	<b>39616</b>
	Isotop DZE-1-NE-SP	Single layer	200	1,962	9.9 Hz	10 pcs.	<b>39617</b>
	Isotop DZE-1-HLL-SP5	Single layer	800	7,848	12.0 Hz	10 pcs.	<b>39618</b>
	Isotop DZE-1-HLH-SP5	Single layer	1,030	10,104	11.5 Hz	10 pcs.	<b>39619</b>
	Isotop DZE-2-NB-SP	Double layer	24	236	7.5 Hz	10 pcs.	<b>39442</b>
	Isotop DZE-2-NC-SP	Double layer	46	452	7.0 Hz	10 pcs.	<b>39620</b>
	Isotop DZE-2-ND-SP	Double layer	97	952	7.1 Hz	10 pcs.	<b>39621</b>
	Isotop DZE-2-NE-SP	Double layer	166	1,629	7.0 Hz	10 pcs.	<b>39622</b>
	Isotop DZE-2-HLL-SP5	Double layer	630	6,180	8.1 Hz	10 pcs.	<b>39623</b>
	Isotop DZE-2-HLH-SP5	Double layer	820	8,044	7.7 Hz	10 pcs.	<b>39624</b>

 <b>DZE-BL</b>	Isotop DZE-1-BL2-HLH-SP5	Single layer	2,065	20,258	11.5 Hz	10 pcs.	<b>42595</b>
	Isotop DZE-1-BL4-HLH-SP5	Single layer	4,135	40,564	11.5 Hz	10 pcs.	<b>42597</b>
	Isotop DZE-2-BL2-HLH-SP5	Double layer	1,635	16,039	7.7 Hz	10 pcs.	<b>42598</b>
	Isotop DZE-2-BL4-HLH-SP5	Double layer	3,270	32,079	7.7 Hz	10 pcs.	<b>42599</b>

DZE-BL: Not held in stock. Delivery time on request (approx. 15 working days from the factory)

### Tensile forces

Type	Maximum tensile force
Isotop DZE Mini NB and NC	0.3 kN
Isotop DZE Mini ND to HRB	1.1 kN
Isotop DZE-1 NB to NE	2.7 kN
Isotop DZE-1 HLL and HLH	4.0 kN
Isotop DZE-2 NB to NE	2.7 kN
Isotop DZE-2 HLL and HLH	4.0 kN
Isotop DZE-x-BL2-HLH	8.0 kN
Isotop DZE-x-BL4-HLH	16.0 kN

Note: Tensile forces correspond to the impact area of application of Sylodamp® (brief dynamic loads) according to the data sheet. The mechanical strength of the metal components is higher.



Recooler with Isotop DZE versus high wind loads

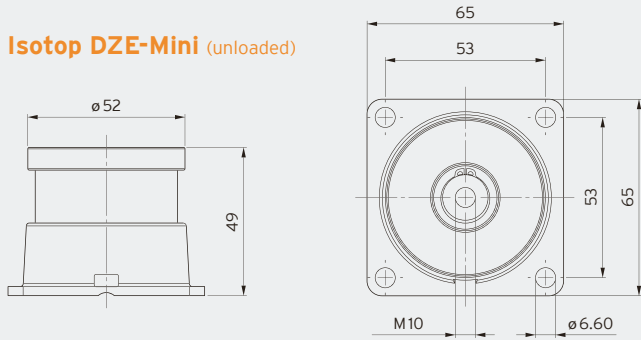


Bearing of a reciprocating compressor with Isotop DZE Mini

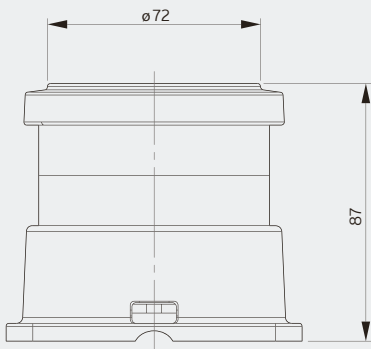


Pump with Isotop DZE to compensate for high dynamic operating forces

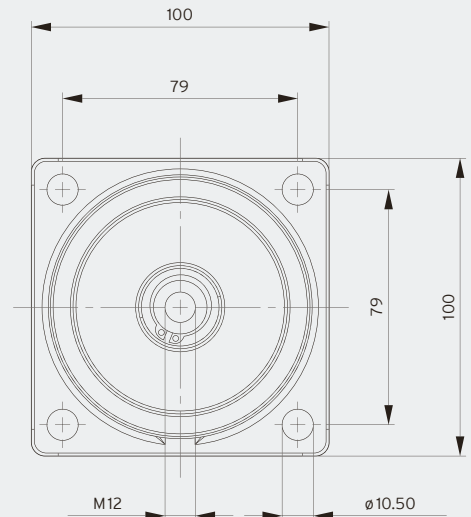
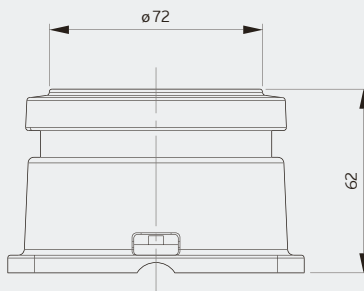
**Isotop DZE-Mini (unloaded)**



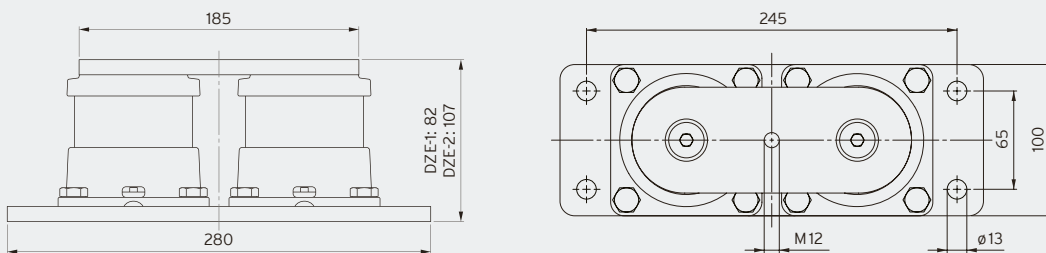
**Isotop DZE-2 (unloaded)**



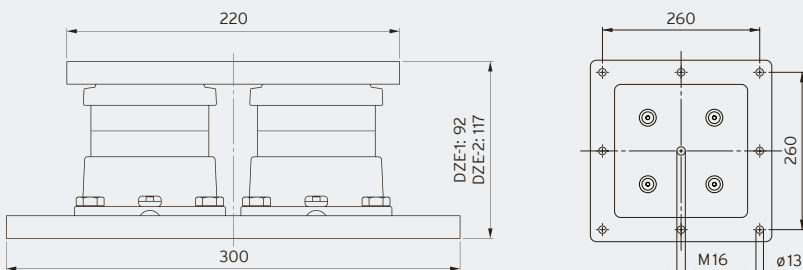
**Isotop DZE-1 (unloaded)**



**Isotop DZE-x-BL 2 (unloaded)**



**Isotop DZE-x-BL 4 (unloaded)**

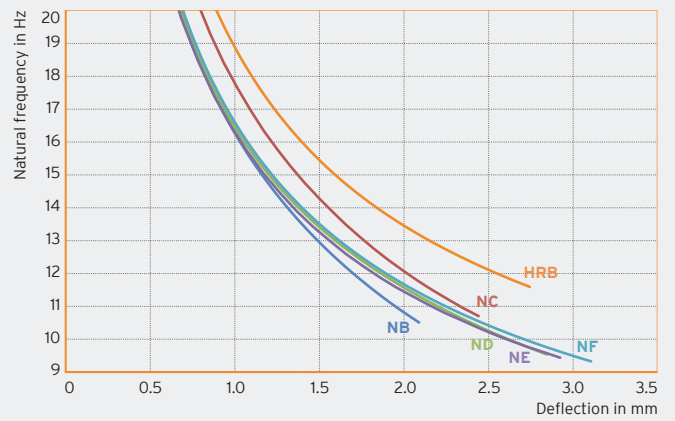
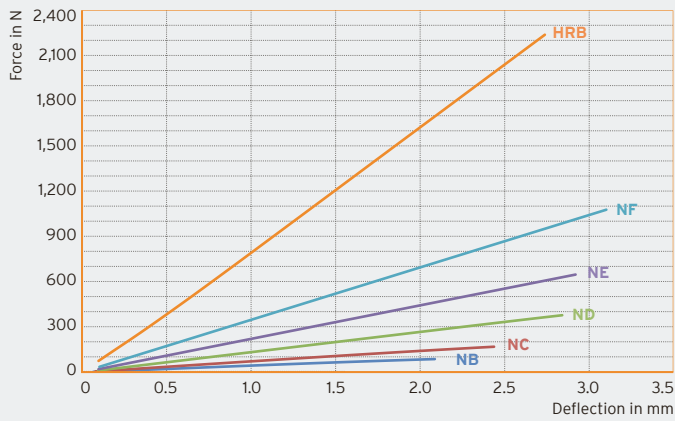


Customised block elements available on request

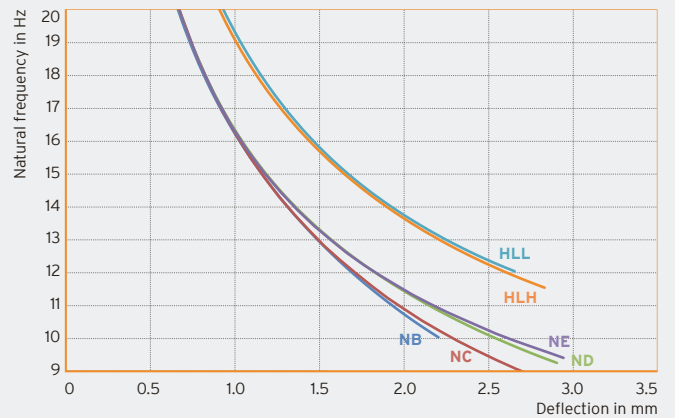
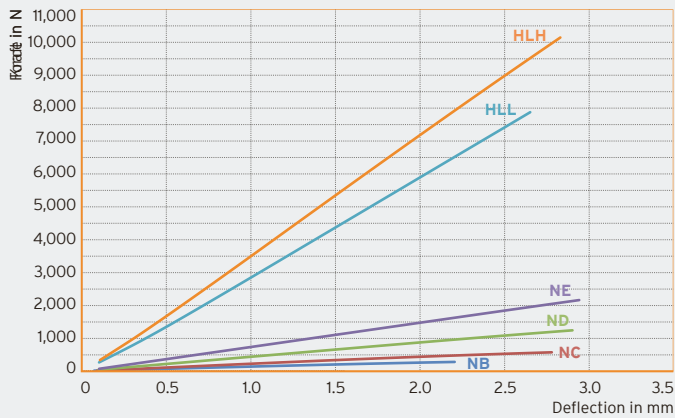


# Isotop DZE

## Isotop DZE Mini

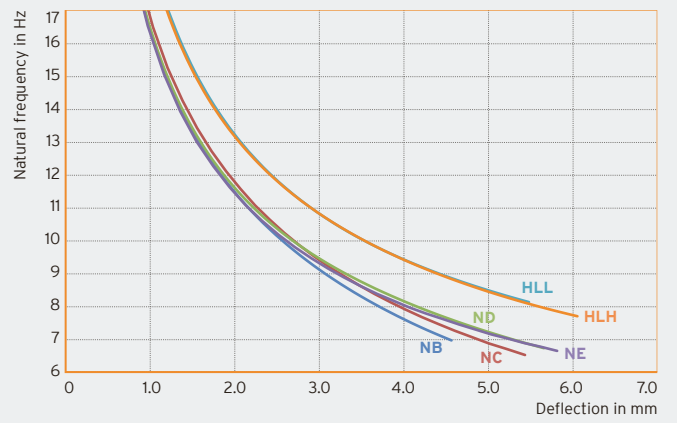
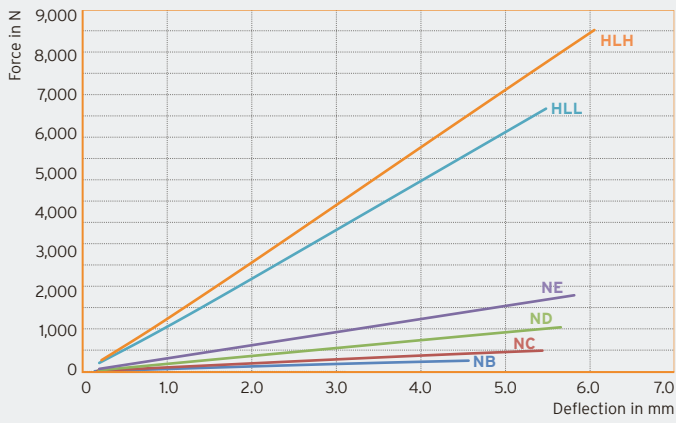


## Isotop DZE-1

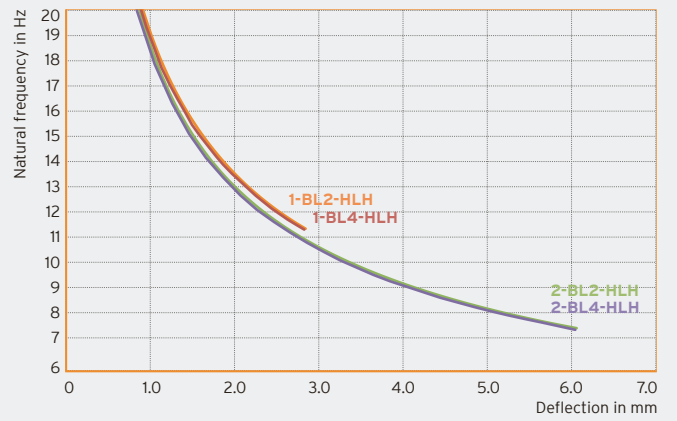
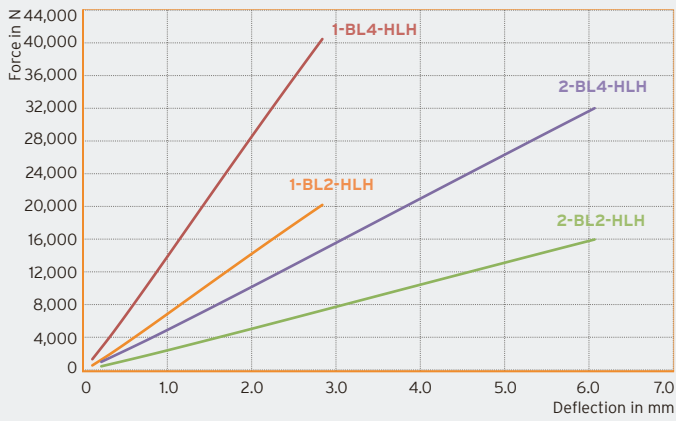


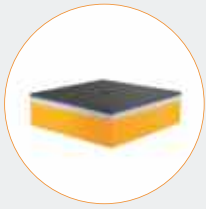


### Isotop DZE-2



### Isotop DZE-x-BL





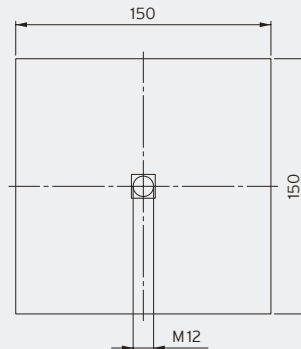
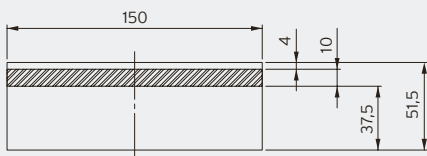
# Isotop SE pro

Sandwich element with high-end vibration isolation

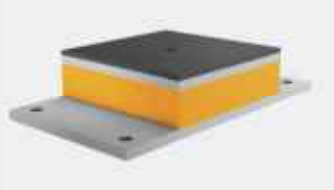
- Natural frequency from 7.5 Hz
- Top plate fitted with 4 mm Sylomer® anti-slip plate
- 10 mm hot dip galvanised steel plate for pressure distribution
- Insulating layer made from 37.5 mm Sylomer® or Sylodyn®
- M12 internal thread for easy screw-fixing
- Suitable for different frame widths
- Quick and easy to install

		Maximum load		Natural frequency at maximum load	Packaging unit	Order number	
		in kg	in N				
 SE pro	Isotop SE pro 9-1	Single layer	90	883	9.6 Hz	12 pcs.	<b>47527</b>
	Isotop SE pro 14-1	Single layer	148	1,452	8.5 Hz	12 pcs.	<b>46528</b>
	Isotop SE pro 28-1	Single layer	290	2,845	7.5 Hz	12 pcs.	<b>46529</b>
	Isotop SE pro 67-1	Single layer	630	6,181	7.9 Hz	12 pcs.	<b>46530</b>
	Isotop SE pro 133-1	Single layer	1,150	11,282	8.0 Hz	12 pcs.	<b>46532</b>
	Isotop SE pro 225-1	Single layer	2,050	20,111	7.8 Hz	12 pcs.	<b>46533</b>

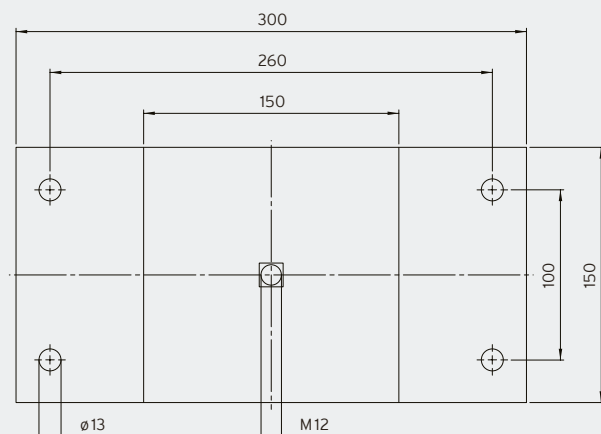
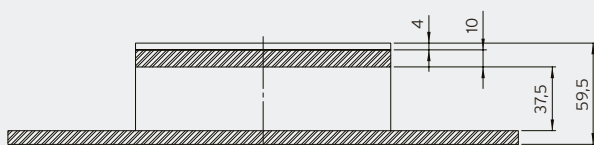
Isotop SE pro (unloaded)



Pre-mounted base plate available on request



Isotop SE pro with base plate (unloaded)





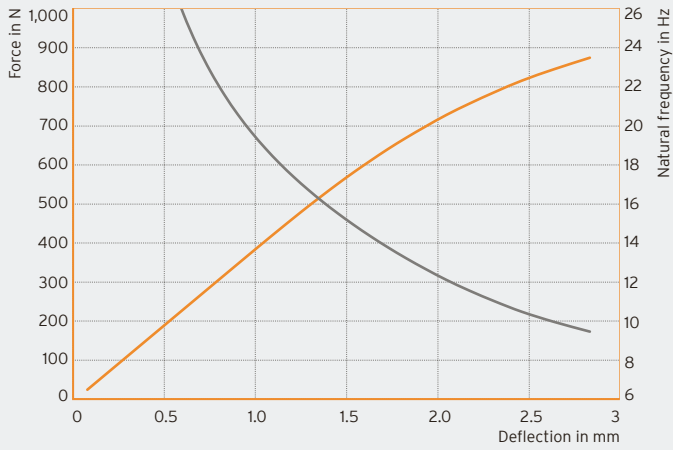
Isotop SE pro



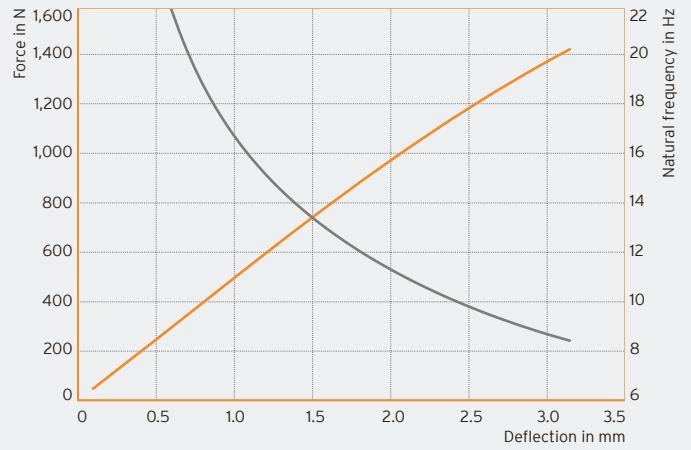
Air conditioning unit on Isotop SE pro

— Force in N  
— Natural frequency in Hz

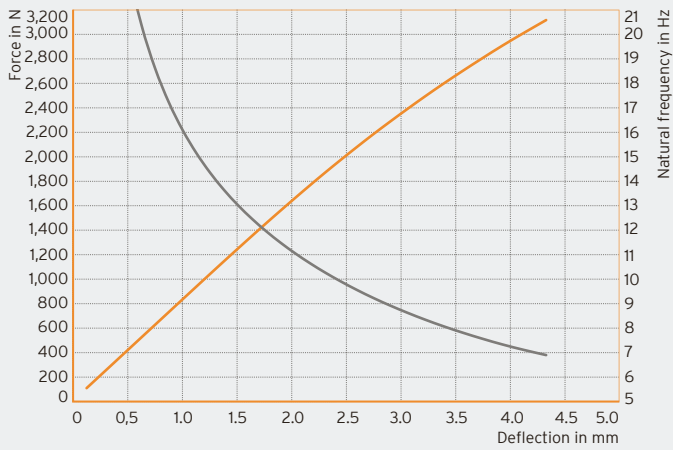
Isotop SE pro 9-1



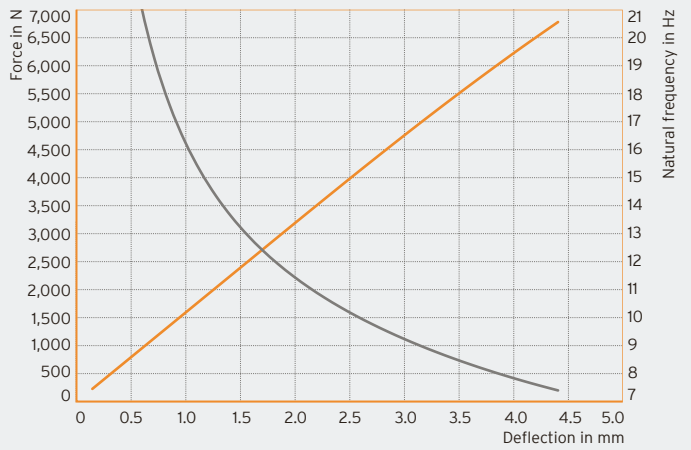
Isotop SE pro 14-1



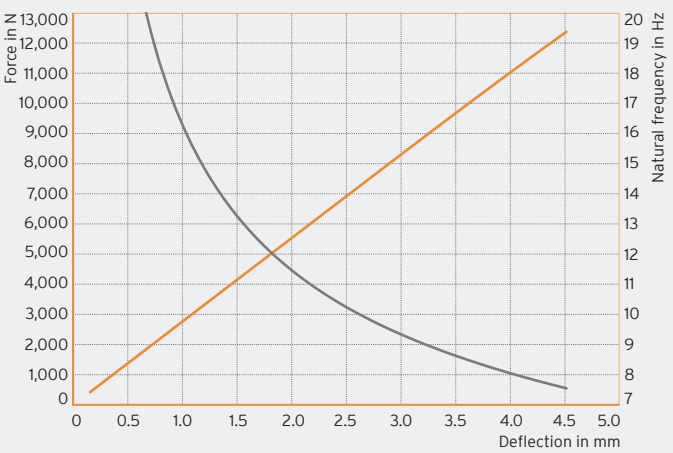
Isotop SE pro 28-1



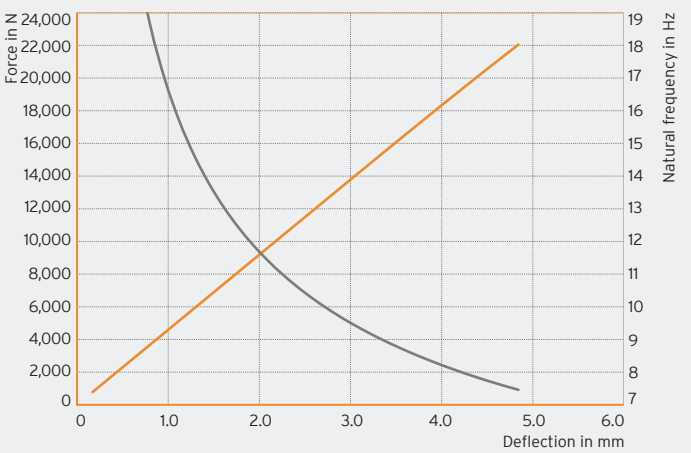
Isotop SE pro 67-1

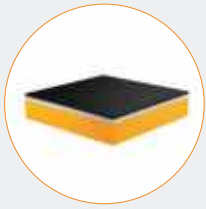


Isotop SE pro 133-1



Isotop SE pro 225-1





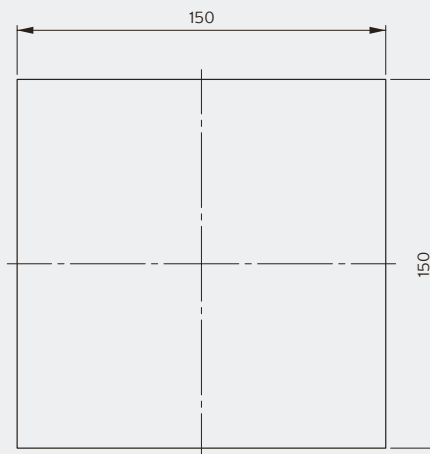
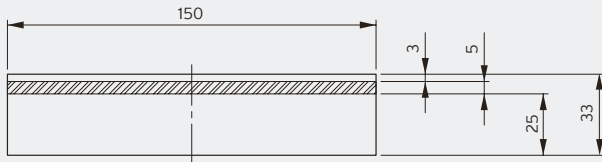
# Isotop SE light

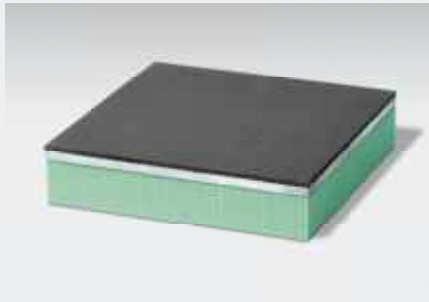
## Sandwich element for universal use

- Natural frequency from 10.8 Hz
- 5 mm hot dip galvanised steel plate for pressure distribution with 3 mm anti-slip plate
- Insulating layer made from 25 mm Sylomer®
- Connection to the device by means of friction (without screw-fixing)
- Suitable for different frame widths
- Quick and easy to install

			Maximum load		Natural frequency at maximum load	Packaging unit	Order number
			in kg	in N			
 <b>SE light</b>	Isotop SE light 6-1	Single layer	63	618	12.7 Hz	4 pcs.	<b>45949</b>
	Isotop SE light 12-1	Single layer	123	1,206	11.7 Hz	4 pcs.	<b>45950</b>
	Isotop SE light 24-1	Single layer	240	2,354	11.8 Hz	4 pcs.	<b>45951</b>
	Isotop SE light 47-1	Single layer	470	4,610	10.8 Hz	4 pcs.	<b>45952</b>
	Isotop SE light 93-1	Single layer	930	9,123	11.0 Hz	4 pcs.	<b>45953</b>

### Isotop SE light (unloaded)



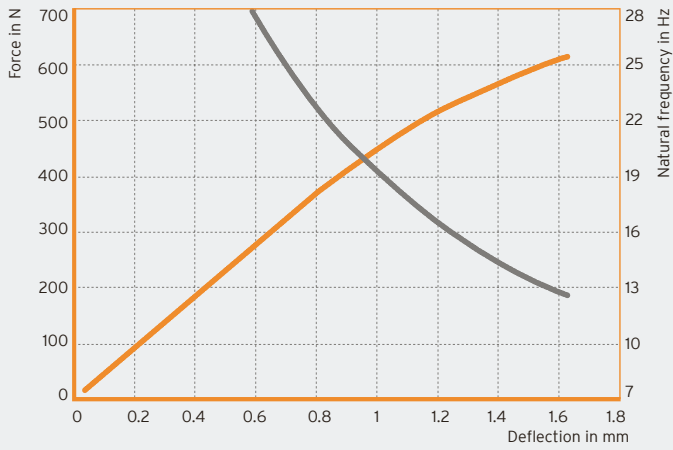


Isotop SE light

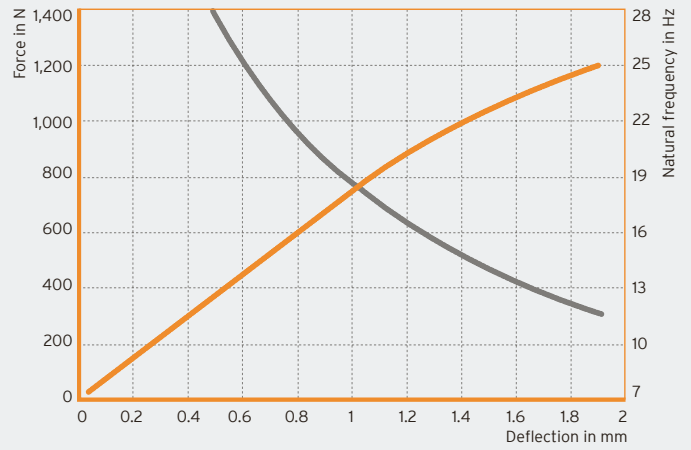


Air conditioning unit on Isotop SE light

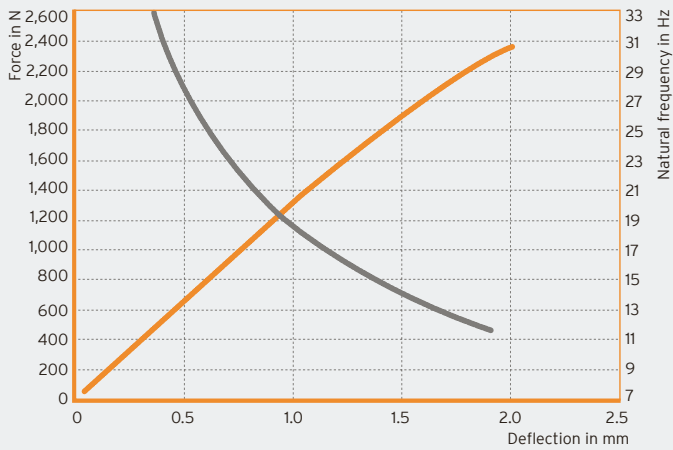
Isotop SE light 6-1



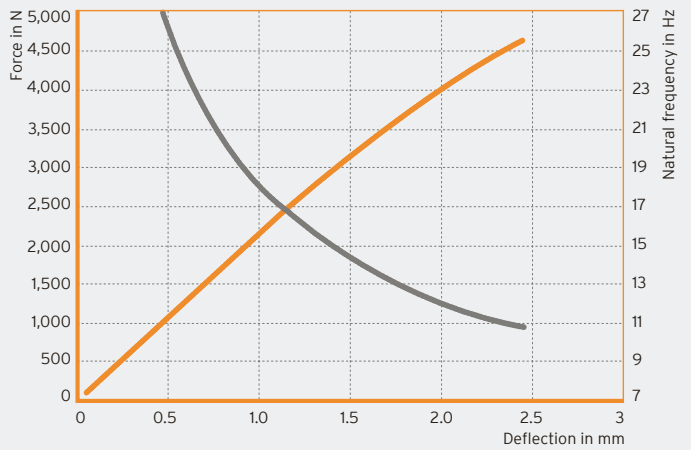
Isotop SE light 12-1



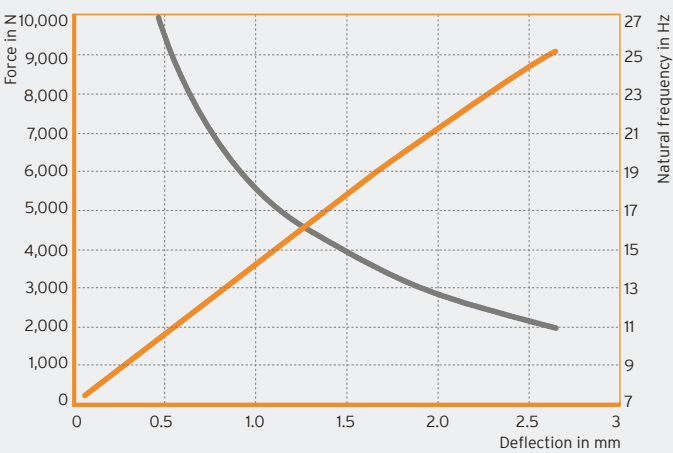
Isotop SE light 24-1



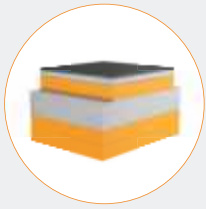
Isotop SE light 47-1



Isotop SE light 93-1



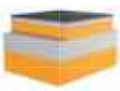
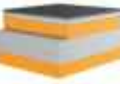
— Force in N  
— Natural frequency in Hz



# Isotop SE-DE and SE-DE Elevator

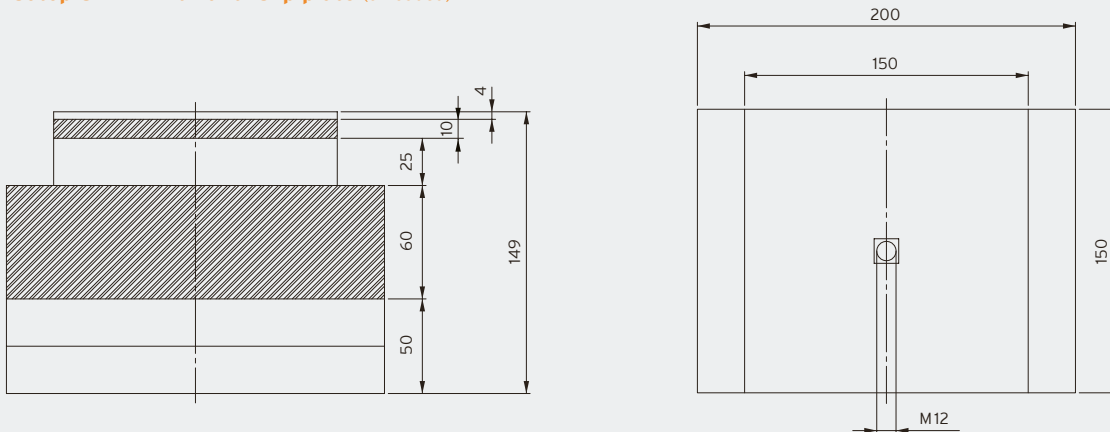
## Sandwich element with double-elastic bearing

- Natural frequency from 5.7 Hz
- Sylomer® or Sylodyn® inside
- Category EL-3 according to DIN 8989 (VDI 2566)
- Top plate fitted with 4 mm Sylomer® anti-slip plate
- 10 mm hot dip galvanised steel plate for pressure distribution
- 60 mm thick, heavy settling mass
- M12 internal thread for easy screw-fixing
- Quick and easy to install

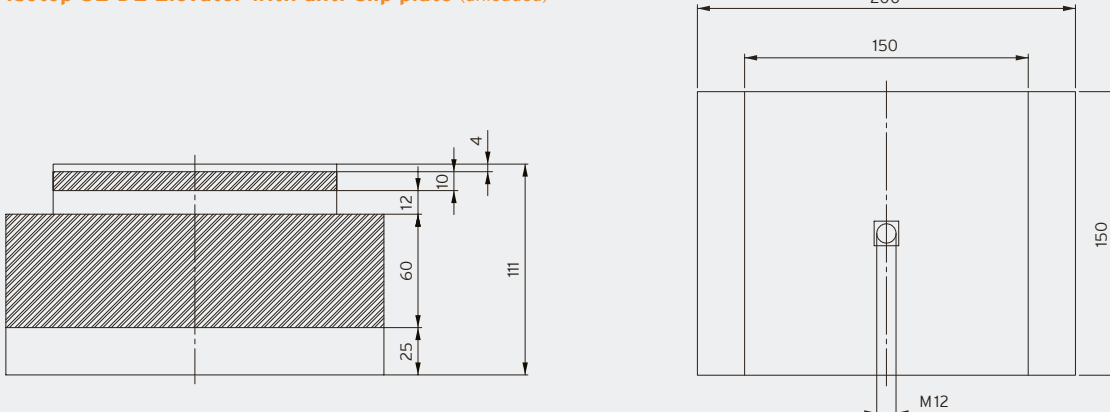
		Maximum load		Natural frequency at maximum load	Packaging unit	Order number
		in kg	in N			
<b>SE-DE</b> 	Isotop SE-DE 10	105	1,030	6.6 Hz	4 pcs.	<b>47270</b>
	Isotop SE-DE 13	142	1,393	7.0 Hz	4 pcs.	<b>47263</b>
	Isotop SE-DE 30	285	2,795	7.0 Hz	4 pcs.	<b>47268</b>
	Isotop SE-DE 50	550	5,395	6.6 Hz	4 pcs.	<b>47266</b>
	Isotop SE-DE 100	1,080	10,594	6.5 Hz	OR	<b>OR</b>
	Isotop SE-DE 170	1,730	16,971	6.5 Hz	OR	<b>OR</b>
	Isotop SE-DE 280	2,840	27,860	5.7 Hz	OR	<b>OR</b>
<b>SE-DE Elevator</b> 	Isotop SE-DE Elevator 13	150	1,471	10.4 Hz	OR	<b>OR</b>
	Isotop SE-DE Elevator 30	310	3,041	10.2 Hz	OR	<b>OR</b>
	Isotop SE-DE Elevator 50	620	6,082	9.5 Hz	20 pcs.	<b>47250</b>
	Isotop SE-DE Elevator 100	1,250	12,262	9.5 Hz	4 pcs.	<b>47247</b>
	Isotop SE-DE Elevator 170	2,190	21,483	9.5 Hz	4 pcs.	<b>47245</b>
	Isotop SE-DE Elevator 280	3,480	34,138	8.8 Hz	4 pcs.	<b>47243</b>

SE-DE and SE-DE Elevator not stock items. Delivery time on request (approx. 15 working days from the factory)  
OR ... On request

### Isotop SE-DE with anti-slip plate (unloaded)



### Isotop SE-DE Elevator with anti-slip plate (unloaded)



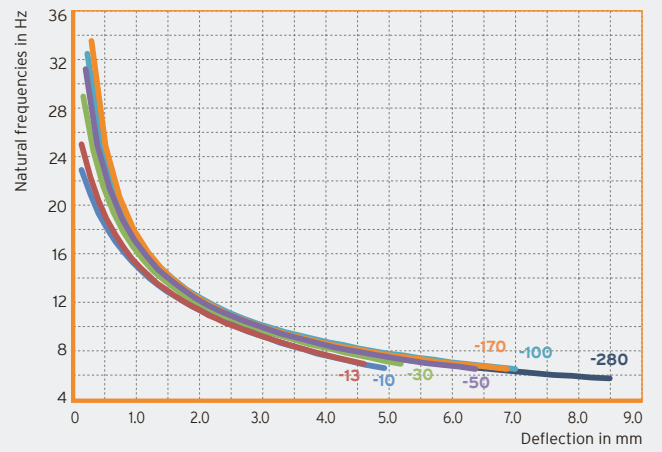
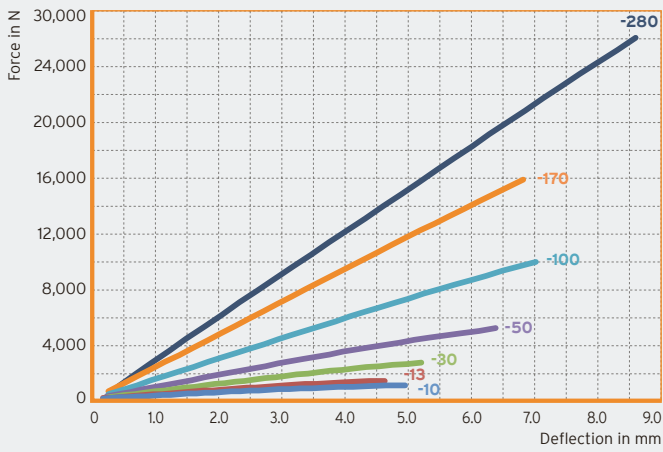


Bearing of a lift system with overhead cable guide

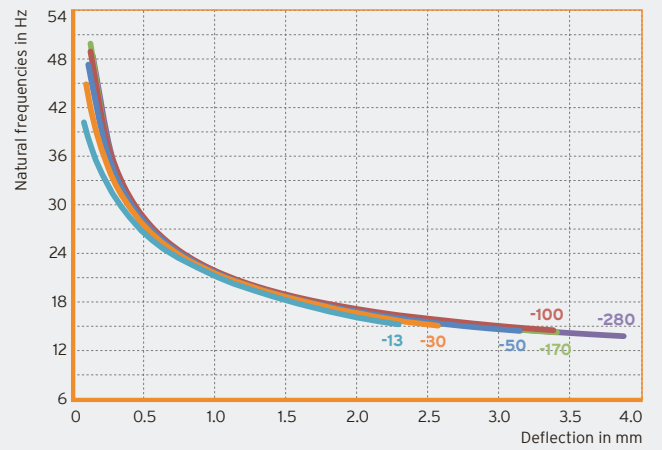
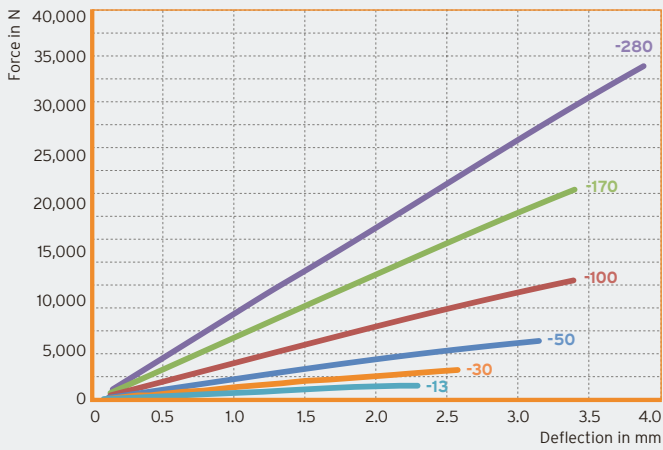


Chiller indoor unit

**Isotop SE-DE**



**Isotop SE-DE Elevator**






# Isotop ENI

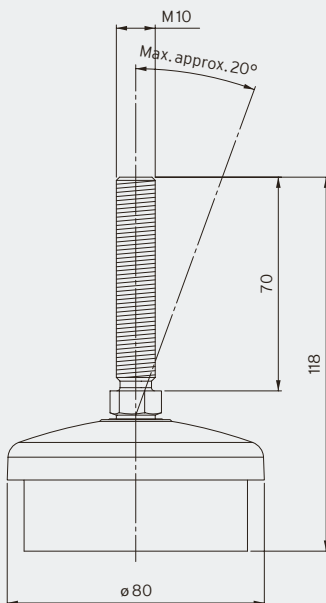
## Structure-borne noise-insulated machine mountings with ball-and-socket joint

- Natural frequency from 9.7 Hz
- High load capacity of up to 260 kg per machine mounting
- 25 mm Sylomer® or Sylodyn® inside
- Integrated height adjustment
- Ball-and-socket joint to compensate for uneven floors and inclinations
- Galvanised thread and polyamide plastic plate for high corrosion resistance

		Material thickness	Maximum load in kg	Maximum load in N	Natural frequency at maximum load	Packaging unit	Order number
	Isotop ENI-60-25-80	M10	25 mm	61	598	10.7 Hz	50 pcs. <b>45150</b>
	Isotop ENI-115-25-80	M10	25 mm	115	1,128	10.9 Hz	50 pcs. <b>45152</b>
	Isotop ENI-175-25-80	M10	25 mm	176	1,726	10.8 Hz	50 pcs. <b>45154</b>
	Isotop ENI-285-25-80	M10	25 mm	260	2,551	9.7 Hz	50 pcs. <b>45155</b>

Additional thread and plate sizes available on request for purchase quantities of more than 200 pcs.

### Isotop ENI-xx-25-80 (unloaded)

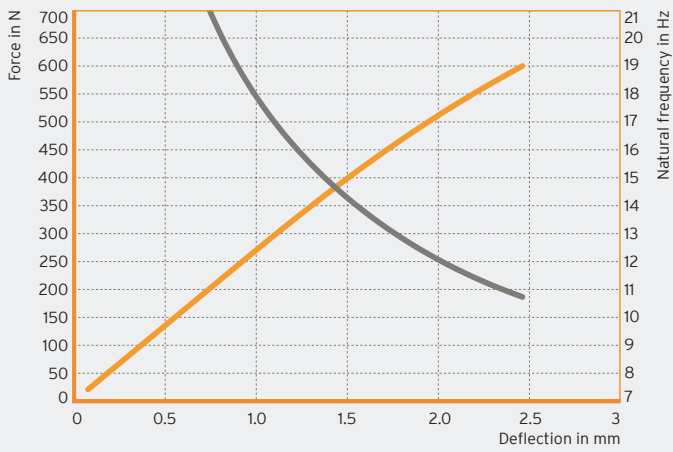




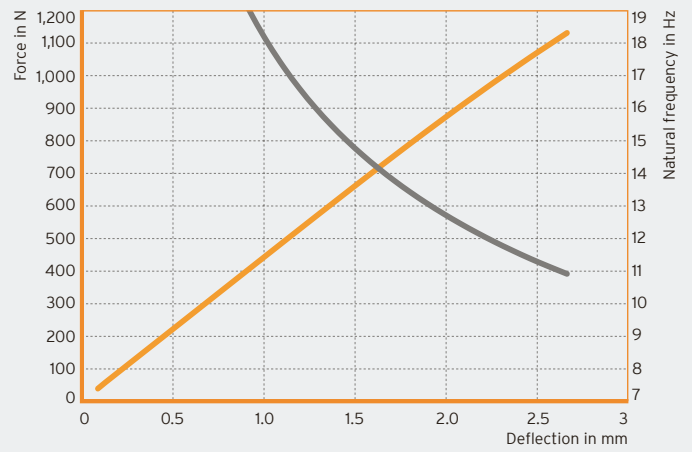


HVAC system installed in cellar

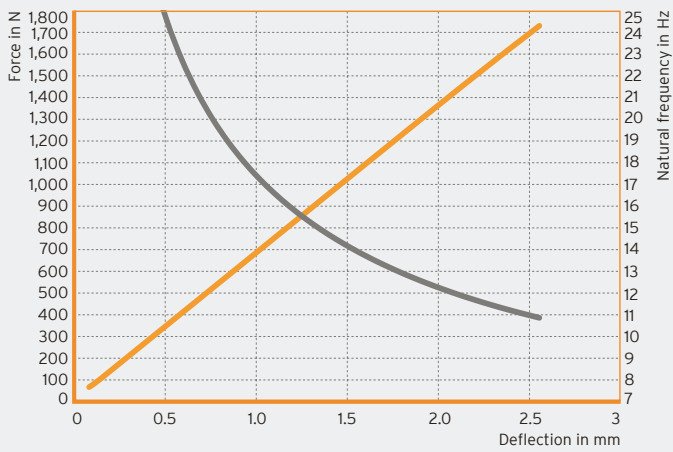
**Isotop ENI 60-25-80**



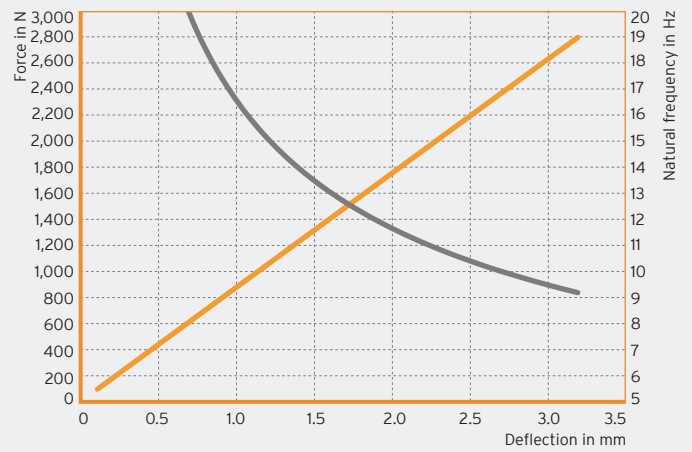
**Isotop ENI 115-25-80**



**Isotop ENI 175-25-80**



**Isotop ENI 285-25-80**




— Force in N  
 — Natural frequency in Hz



# Sylomer® Compressor Grommet CGR

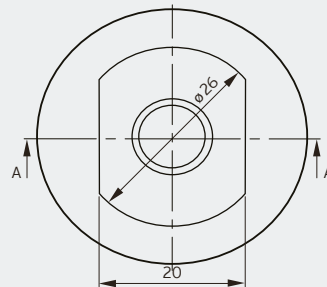
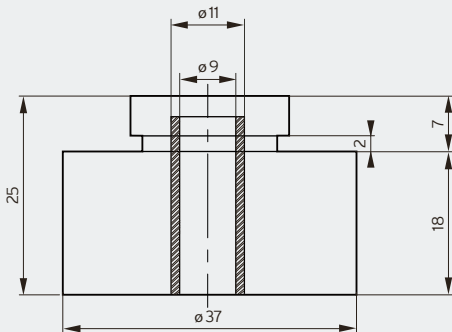
Compressor grommets made from high-performance dampers

- Load capacity of up to 20 kg per compressor base
- Sylomer® inside
- Integrated steel sleeve for secure installation with high starting torque
- Designed for use with M8 screws
- Weather- and UV-resistant
- Extremely effective even at low temperatures

	Type	Dimension	Maximum load		Natural frequency at maximum load	Packaging unit	Order number
			in kg	in N			
	CGR-3-37x25-M8-S	37 x 25 mm	3	29	14.0 Hz	1 set (= 48 pcs.)	<b>42177</b>
	CGR-6-37x25-M8-S	37 x 25 mm	6	59	13.7 Hz	1 set (= 48 pcs.)	<b>42178</b>
	CGR-10-37x25-M8-S	37 x 25 mm	10	98	12.7 Hz	1 set (= 48 pcs.)	<b>41652</b>
	CGR-20-37x25-M8-S	37 x 25 mm	20	196	13.0 Hz	1 set (= 48 pcs.)	<b>42179</b>

Purchasing quantity = packaging unit or multiple thereof

## Sylomer® Compressor Grommet CGR (unloaded)



Minimum order quantity of 1.000 units for bespoke orders



Sylomer® Compressor Grommet CGR



# Elastic Washers EW

## Washers for decoupling screw connections

- Sylodyn® inside
- Available with and without centring aid
- For screw sizes M8, M10, M12 and M16
- Weather and UV resistant

Type	Diameter [A]	Height	Hole diameter [B]	Packaging unit	Order number	
<b>Elastic Washer EW</b>  	EW-M8-6	35 mm	6 mm	1 Set (=100 Stk.)	<b>37523</b>	
	EW-M10-6	40 mm	6 mm	1 Set (=100 Stk.)	<b>37524</b>	
	EW-M12-6	50 mm	6 mm	1 Set (=100 Stk.)	<b>37525</b>	
	EW-M16-6	55 mm	6 mm	1 Set (=100 Stk.)	<b>37526</b>	
	EW-M8-8	28 mm	8 mm	9 mm	1 Set (=100 Stk.)	<b>37511</b>
	EW-M10-8	34 mm	8 mm	11 mm	1 Set (=100 Stk.)	<b>37512</b>
	EW-M12-8	44 mm	8 mm	13 mm	1 Set (=100 Stk.)	<b>37513</b>
	EW-M16-8	56 mm	8 mm	17 mm	1 Set (=100 Stk.)	<b>37514</b>
	EW-M8-12	35 mm	12 mm	9 mm	1 Set (=100 Stk.)	<b>37519</b>
	EW-M10-12	40 mm	12 mm	11 mm	1 Set (=100 Stk.)	<b>37520</b>
	EW-M12-12	50 mm	12 mm	13 mm	1 Set (=100 Stk.)	<b>37521</b>
	EW-M16-12	55 mm	12 mm	17 mm	1 Set (=100 Stk.)	<b>37522</b>
	EW-M8-21	28 mm	21 mm	9 mm	1 Set (=100 Stk.)	<b>37515</b>
	EW-M10-21	34 mm	21 mm	11 mm	1 Set (=100 Stk.)	<b>37516</b>
	EW-M12-21	44 mm	21 mm	13 mm	1 Set (=100 Stk.)	<b>37517</b>
	EW-M16-21	56 mm	21 mm	17 mm	1 Set (=100 Stk.)	<b>37518</b>
	EW-M20-21	60 mm	21 mm	21 mm	1 Set (=100 Stk.)	<b>45228</b>
EW-M27-21	70 mm	21 mm	28 mm	1 Set (=100 Stk.)	<b>45229</b>	

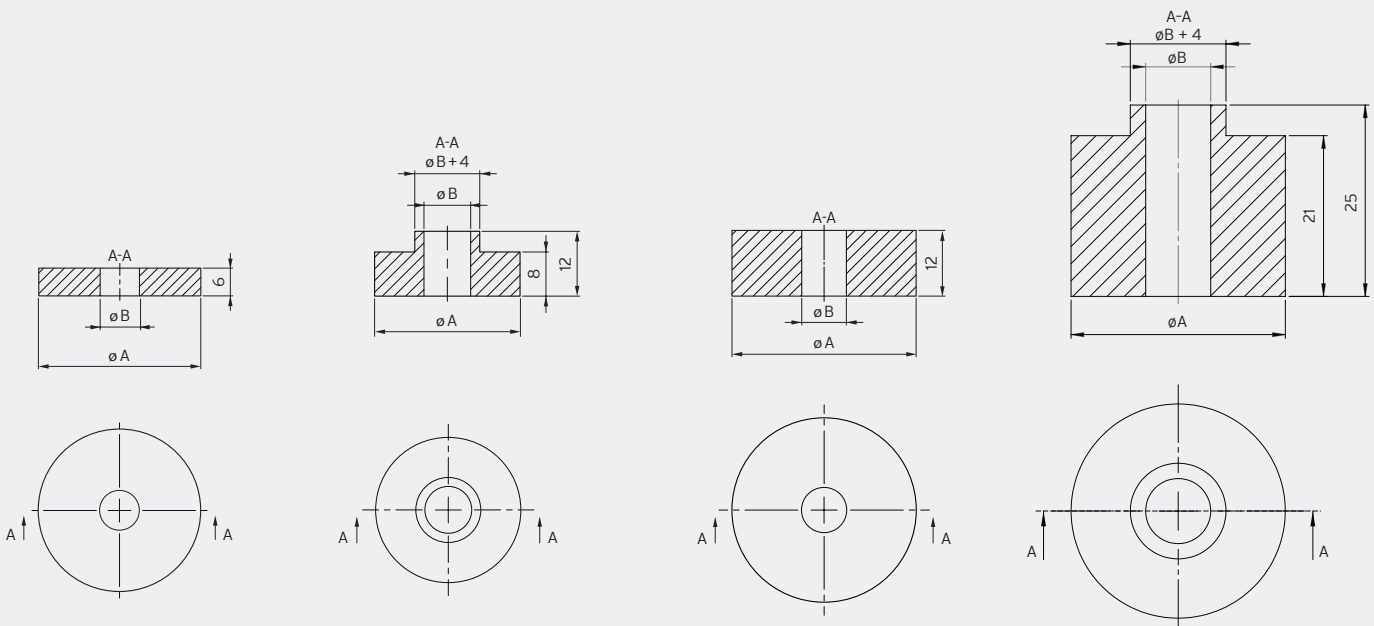
Purchasing quantity = packaging unit or multiple thereof

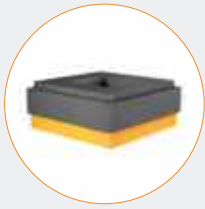
EW Mxx-6 (unloaded)

EW Mxx-8 (unloaded)

EW Mxx-12 (unloaded)

EW Mxx-21 (unloaded)





# Isotop Transformer Pad TR

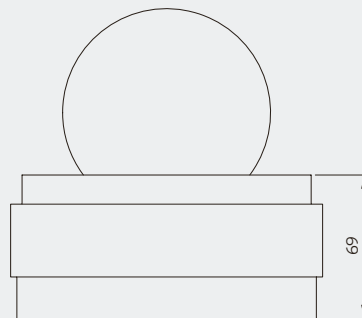
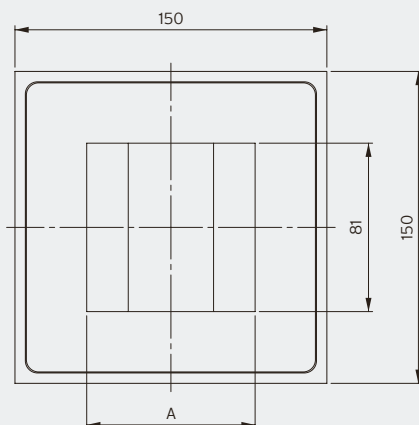
High-performance pads for transformers with wheels

- Natural frequencies from 8.5 Hz
- Sylodyn® inside
- Load capacities for transformers weighing up to 10 t
- Available with reel width of 40-70 mm and reel diameter of up to 200 mm

		Reel diameter	Max. load per set		Natural frequency at maximum load	Packaging unit	Order number
			in kg	in N			
<b>Transformer Pad TR</b>	TR-400/150-100	up to 100 mm	400	3,925	11.3 Hz	1 set (= 4 pcs.)	<b>43099</b>
	TR-1000/150-100	up to 100 mm	1,000	9,810	9.5 Hz	1 set (= 4 pcs.)	<b>43100</b>
	TR-2500/150-100	up to 100 mm	2,500	24,525	9.9 Hz	1 set (= 4 pcs.)	<b>43101</b>
	TR-5000/150-100	up to 100 mm	5,000	49,050	9.7 Hz	1 set (= 4 pcs.)	<b>43102</b>
	TR-10000/150-100	up to 100 mm	10,000	98,100	8.5 Hz	1 set (= 4 pcs.)	<b>43103</b>
	TR-400/150-150	101 - 150 mm	400	3,925	11.3 Hz	1 set (= 4 pcs.)	<b>43202</b>
	TR-1000/150-150	101 - 150 mm	1,000	9,810	9.5 Hz	1 set (= 4 pcs.)	<b>43204</b>
	TR-2500/150-150	101 - 150 mm	2,500	24,525	9.9 Hz	1 set (= 4 pcs.)	<b>43206</b>
	TR-5000/150-150	101 - 150 mm	5,000	49,050	9.7 Hz	1 set (= 4 pcs.)	<b>43208</b>
	TR-10000/150-150	101 - 150 mm	10,000	98,100	8.5 Hz	1 set (= 4 pcs.)	<b>43210</b>
	TR-400/150-200	151 - 200 mm	400	3,925	11.3 Hz	1 set (= 4 pcs.)	<b>43203</b>
	TR-1000/150-200	151 - 200 mm	1,000	9,810	9.5 Hz	1 set (= 4 pcs.)	<b>43205</b>
	TR-2500/150-200	151 - 200 mm	2,500	24,525	9.9 Hz	1 set (= 4 pcs.)	<b>43207</b>
	TR-5000/150-200	151 - 200 mm	5,000	49,050	9.7 Hz	1 set (= 4 pcs.)	<b>43209</b>
	TR-10000/150-200	151 - 200 mm	10,000	98,100	8.5 Hz	1 set (= 4 pcs.)	<b>43211</b>

Not held in stock. Delivery time on request (approx. 15 working days from the factory)

## Isotop Transformer Pad TR (unloaded)

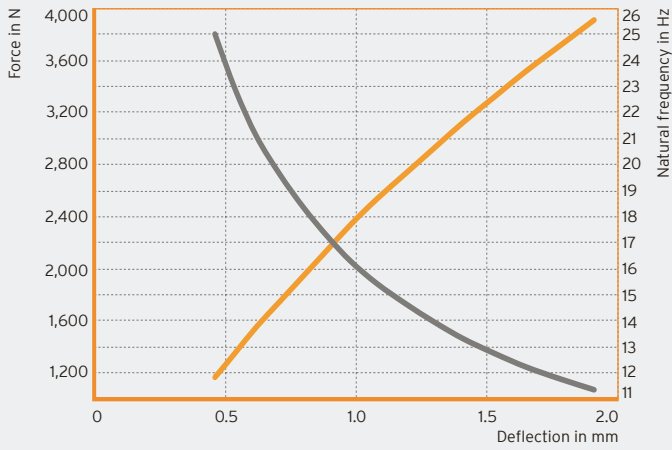


**Dimension inlay [A]:**  
 TR-xxx-100 A = 81 mm  
 TR-xxx-150 A = 105 mm  
 TR-xxx-200 A = 119 mm

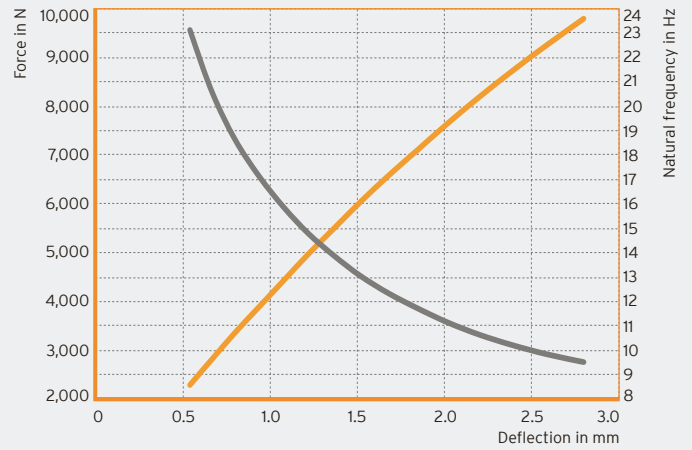


Vibration decoupled bearing of a distribution transformer

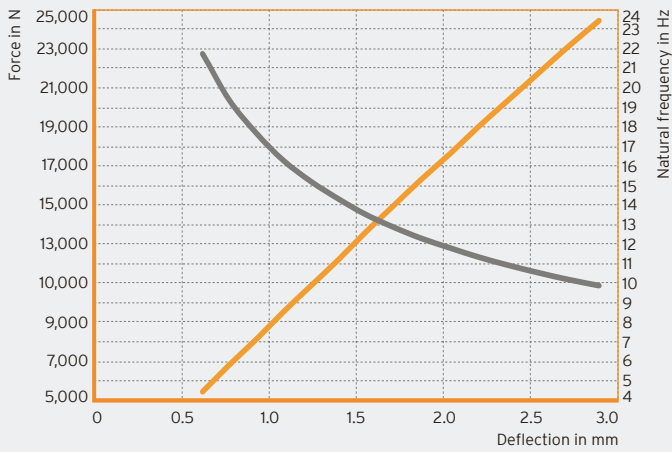
**TR-400**



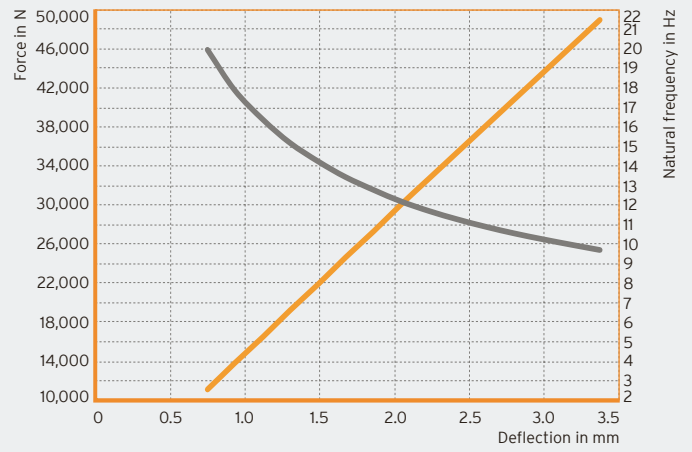
**TR-1000**



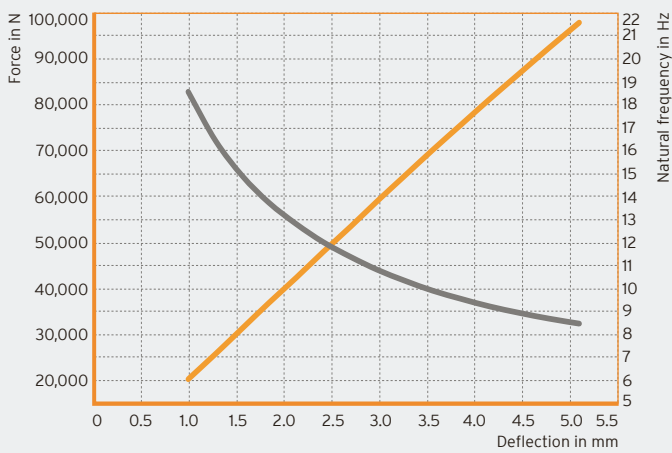
**TR-2500**



**TR-5000**



**TR-10000**



— Force in N  
— Natural frequency in Hz





**Getzner Werkstoffe GmbH**

Herrenau 5  
6706 Bürs  
Austria  
T +43-5552-201-0  
F +43-5552-201-1899  
info.buers@getzner.com

**Getzner Werkstoffe GmbH**

Am Borsigturm 11  
13507 Berlin  
Germany  
T +49-30-405034-00  
F +49-30-405034-35  
info.berlin@getzner.com

**Getzner Werkstoffe GmbH**

Grünwalder Weg 32  
82041 Oberhaching  
Germany  
T +49-89-693500-0  
F +49-89-693500-11  
info.munich@getzner.com

**Getzner Spring Solutions GmbH**

Gottlob-Grotz-Str. 1  
74321 Bietigheim-Bissingen  
Germany  
T +49-7142-91753-0  
F +49-7142-91753-50  
info.stuttgart@getzner.com

**Getzner France S.A.S.**

Bâtiment Quadrille  
19 Rue Jacqueline Auriol  
69008 Lyon  
France  
T +33-4 72 62 00 16  
info.lyon@getzner.com

**Getzner France S.A.S.**

19 Rue Hans List  
78290 Croissy-sur-Seine  
France  
T +33 1 88 60 77 60

**Getzner Vibration Solutions Pty Ltd**

Unit 1 Number 2-22  
Kirkham Road West,  
Keysborough Victoria 3173  
Australia

**Getzner India Pvt. Ltd.**

1st Floor, Kaivalya  
24 Tejas Society, Kothrud  
Pune 411038, India  
T +91-20-25385195  
F +91-20-25385199  
info.pune@getzner.com

**Nihon Getzner K.K.**

6-8 Nihonbashi Odenma-cho  
Chuo-ku, Tokyo  
103-0011, Japan  
T +81-3-6842-7072  
F +81-3-6842-7062  
info.tokyo@getzner.com

**Getzner Materials (Beijing) Co., Ltd.**

No. 905, Tower D, the Vantone Center  
No. Jia 6, Chaowai Street, Chaoyang District  
10020, Beijing, the P.R.C.  
T +86-10-5907-1618  
F +86-10-5907-1628  
info.beijing@getzner.com

**Getzner USA, Inc.**

8720 Red Oak Boulevard, Suite 460  
Charlotte, NC 28217, USA  
T +1-704-966-2132  
info.charlotte@getzner.com

[www.getzner.com](http://www.getzner.com)



Our printing is  
**climate neutral.**

Subject to technical modifications and changes to the range without notice.